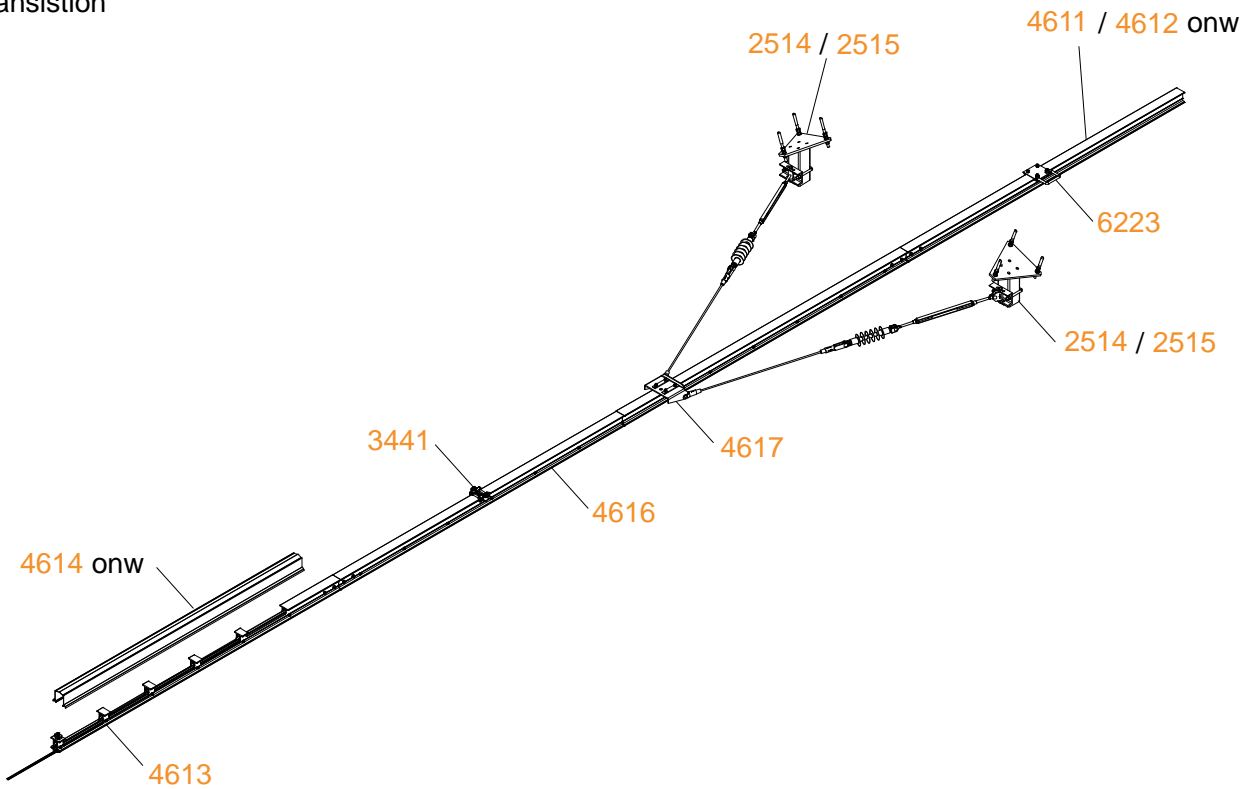


Transision



Conductor rail support, Fixed point, expansion joint, Section insulator

