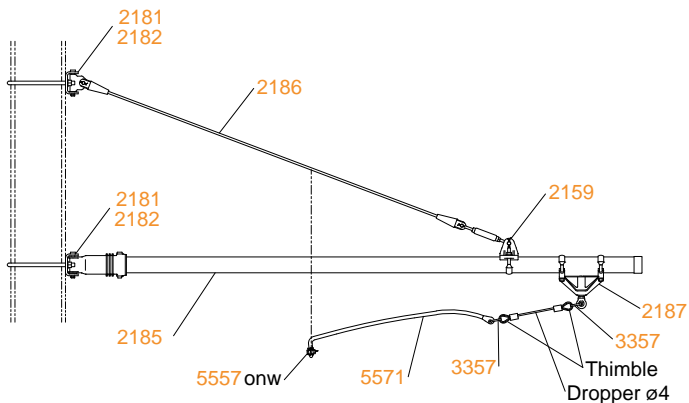
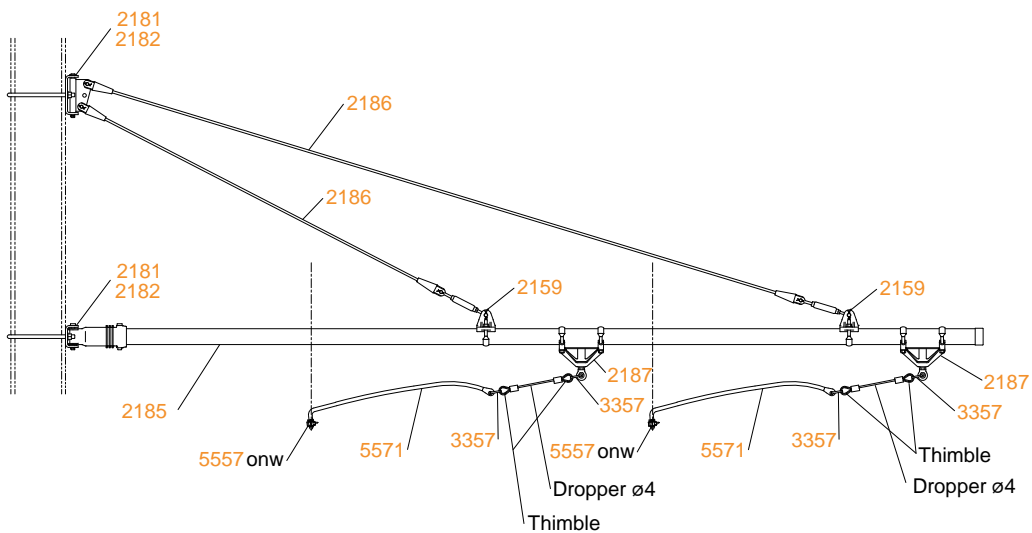


Tubular cantilever over one track with flat laying steady arm



Tubular cantilever over two tracks with flat laying steady arm



- Dropper ø4: Drawing number 437.00081
- Thimble : Drawing number 437.00082