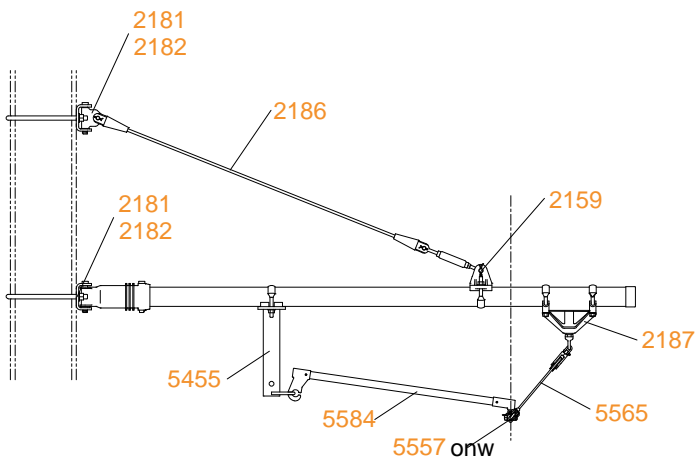


Tubular cantilever over one track with drop bracket for steady arm



Tubular cantilever over two tracks with drop bracket for steady arm

