

Note

Protected by patent

Bill of material

1 Plastic palox stackable with lid 1200 x 1000 x 900 mm contains:

3 wiper inserts each for grease collar for type A and B

2 compressed air delivery pumps incl. 2 high-pressure hoses

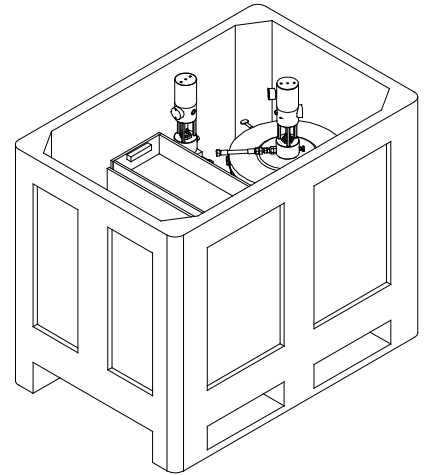
1 air compressor incl. accessories

1 grease collar incl. guide carriage

1 Fd insertion device

Kettle holder for off-road use incl. accessories

Cleaning material

**Note**

Supplied only as a complete set

Note contact wire types see 4431 107,120 and 150

Form A and B

Order protective grease separately

Drawing number

911.00293

Ordering information

4634 Greasing device for OCR/ROCS