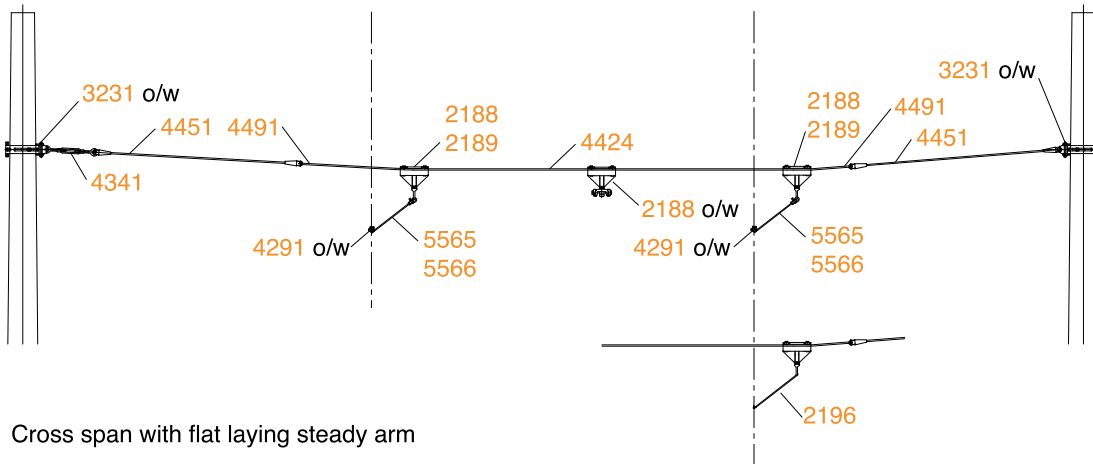
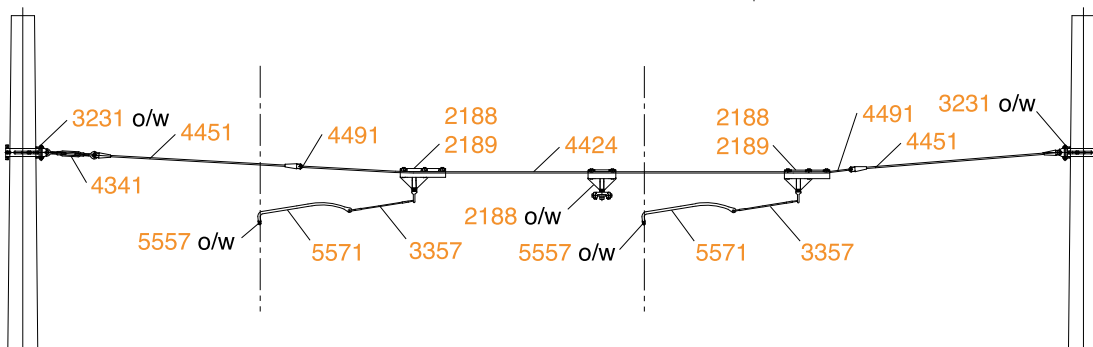


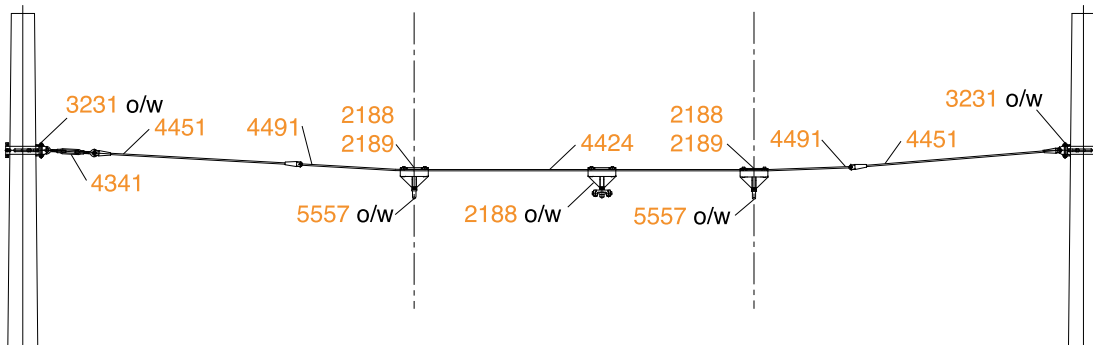
Cross span with delta suspension



Cross span with flat laying steady arm



Cross span with contact wire clamp, direct



Cross span straight



Cross span Y-Type

