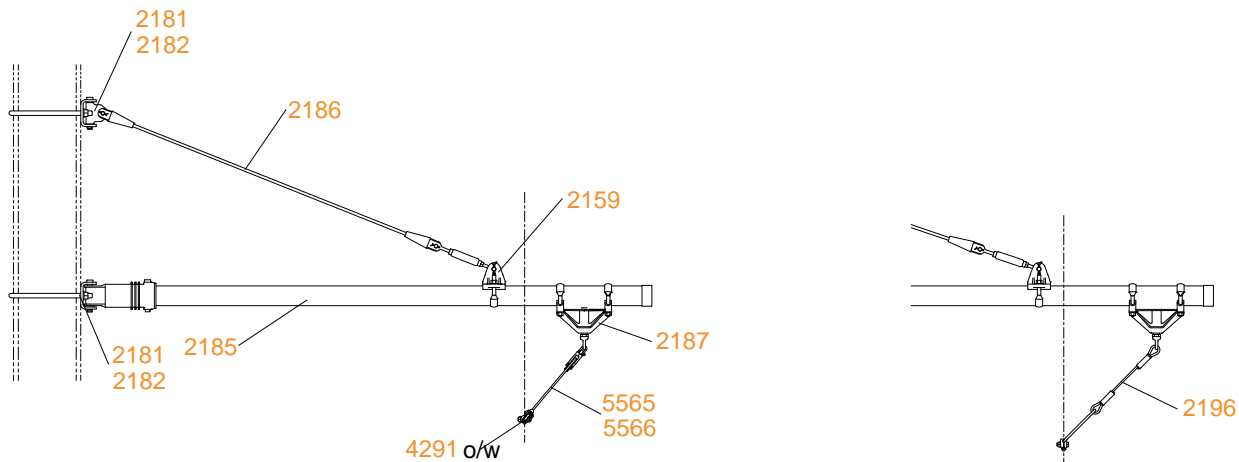


Tubular cantilever over one track with delta suspension



Tubular cantilever over two tracks with delta suspension

