

Material

Fe stainless

Type	D (mm)	Connecting link	Utilization
H.1.17	17	horizontal	general
H.1.20	20	horizontal	general
H.2.17	17	horizontal	on swivel head inclinable
H.2.20	20	horizontal	on swivel head inclinable
V.1.17	17	vertical	general
V.1.20	20	vertical	general
V.2.17	17	vertical	on swivel head inclinable
V.2.20	20	vertical	on swivel head inclinable

Note

X = Swivel head

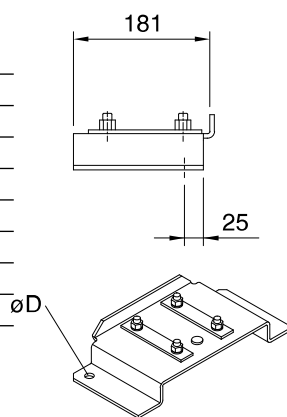
XX = Connection clamp

Drawing number

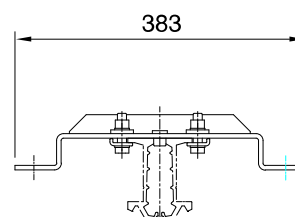
962.00344-1, .00344-9, .01082-1, .01082-2

Ordering informationHole \varnothing 17 mm, connecting link vertical

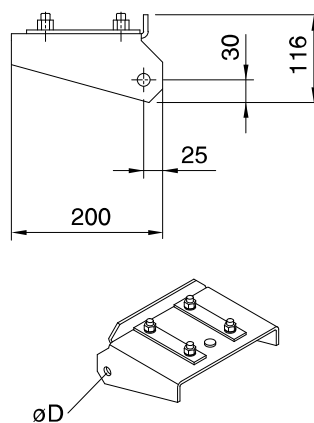
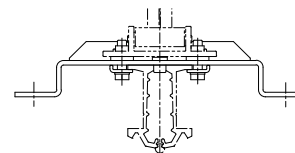
4617.V.1.17 Anchor plate for conductor rail



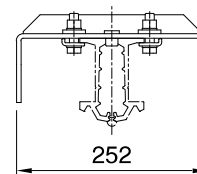
Typ H.1...



Typ H.2...



Typ V.1...



Typ V.2...

