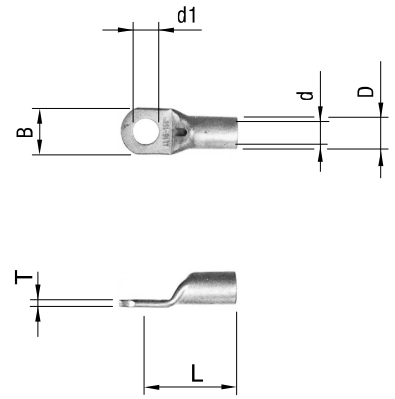


Material
Cu tinned

Type	Rope <; (mm ²)	No. Bolts (mm)	d (mm)	D (mm)	d1 (mm)	L (mm)	B (mm)	T (mm)
016.06	16	6	5.5	8.5	6.4	36	13	2.5
016.08	16	8	5.5	8.5	8.4	36	13	2.5
025.08	25	8	7.0	10.0	8.4	38	16	3.0
025.12	25	12	7.0	10.0	13.0	38	19	3.0
035.08	35 / 35 flex	8	8.2	12.5	8.4	42	17	2.5
035.10	35 / 35 flex	10	8.2	12.5	10.5	42	19	2.5
035.12	35 / 35 flex	12	8.5	12.0	13.0	38	21	2.5
035.16	35 / 35 flex	16	8.2	12.5	17.0	42	28	2.5
050.10	50	10	10.0	14.5	10.5	52	22	4.0
050.12	50	12	10.0	14.5	13.0	52	24	4.0
050.16	50	16	10.0	14.5	17.0	52	28	4.0
070.10	70 / 50 flex	10	11.5	16.5	10.5	55	24	4.5
070.12	70 / 50 flex	12	11.5	16.5	13.0	55	24	4.5
070.16	70 / 50 flex	16	11.5	16.5	17.0	55	30	4.5
095.12	95	12	13.5	19.0	13.0	65	28	5.0
095.14	95	14	13.5	19.0	15.0	65	28	5.0
095.16	95	16	13.5	19.0	17.0	65	32	5.0
120.10	120 / 95 flex	10	15.5	21.0	10.5	70	32	5.5
120.12	120 / 95 flex	12	15.5	21.0	13.0	70	32	5.5
120.14	120 / 95 flex	14	15.5	21.0	15.0	70	32	5.5
120.16	120 / 95 flex	16	15.5	21.0	17.0	70	32	5.5
150.12	150	12	17.0	23.5	13.0	78	34	6.0
150.16	150	16	17.0	23.5	17.0	78	34	6.0
185.10	185 / 150 flex	10	19.0	25.5	10.5	82	37	6.0
185.12	185 / 150 flex	12	19.0	25.5	13.0	82	37	6.0
185.14	185 / 150 flex	14	19.0	25.5	15.0	82	37	6.0
185.16	185 / 150 flex	16	19.0	25.5	17.0	82	37	6.0
240.12	240	12	21.5	29.0	13.0	92	42	6.5
240.16	240	16	21.5	29.0	17.0	92	42	6.5
300.16	300	16	24.5	32.0	17.0	100	48	7.0



Note

Circular form with viewing hole

Use for:

Overhead line, flexible cable and round wire

Drawing number

449.00024

Ordering information

with nominal 95 mm² cross-section,

for connecting bolts M 16

4513.095.16 Cable lug for press connection