

Earth clamp, weld-on part**6111****Material**

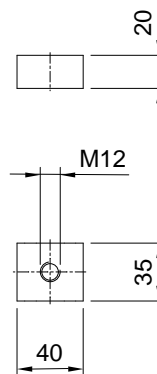
Fe black

Drawing number

474.00084

Ordering information

6111 Earth clamp, weld-on part

**Earth clamp for permanent connection, weld-on part****6112****Material**

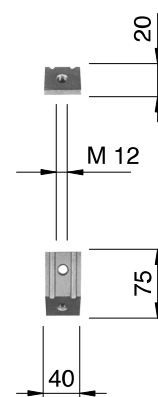
Fe black

Drawing number

474.00101

Ordering information

6112 Earth clamp for permanent connection, weld-on part

**Earth clamp for permanent connection to mast****6113****Mast range**

HEB profiles 160 / 180-240 / 260

Fasteners

Supplied complete with U-bolt.

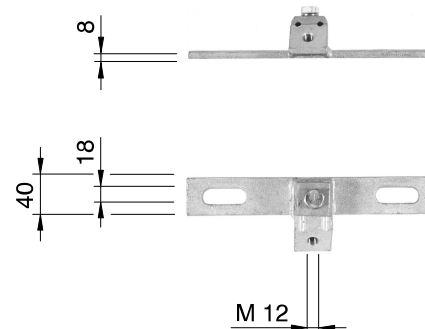
Drawing number

474.00213, .00357

Ordering information

on HEB 240

6113.24 Earth clamp for permanent connection to mast

**Earth clamp, temporary on mast****6121****Mast range**

HEB profiles 160 / 180-240 / 260

Fasteners

Supplied complete with U-bolt.

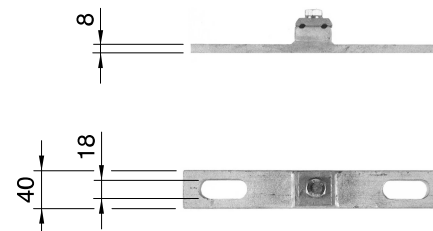
For wire up to max. \varnothing 9 mm**Drawing number**

474.00210, .00358

Ordering information

on HEB 220

6121.22 Earth clamp, temporary on mast

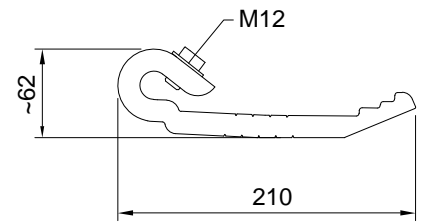


Material

Fe galvanized

NoteFor temporary rail connections
for rail 125 mm / 140 mm / 150 mm**Ordering information**

6122 Earth clamp, temporary on rail



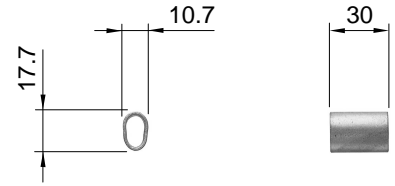
Sleeve for rail bond

6133**Material**

Cu

Ordering information

6133 Sleeve for rail bond



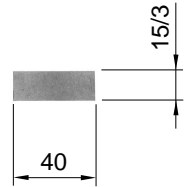
Retaining plate for earth wire

6134**Material**

Fe black

Ordering information

6134 Retaining plate for earth wire



Staples for earth wire

6135**Material**

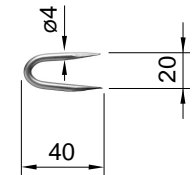
Fe galvanized

Note

Unit solid 0,5 kg (approx. 75 Staples)

Ordering information

6135 Staples for earth wire



Earthing connection to rail, on one side

6137**Material**

Sleeve Cu

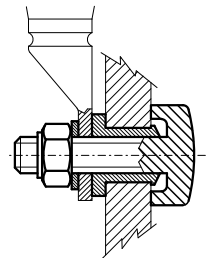
Bolt Fe stainless

Type	Thread M (mm)
10	M10
12	M12

Ordering information

M12

6137.12 Earthing connection to rail, on one side



Earthing connection to rail, on both sides

6138**Material**

Sleeve Cu

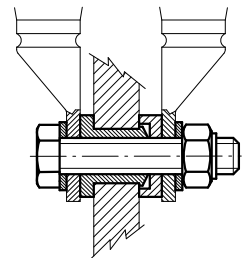
Bolt Fe stainless

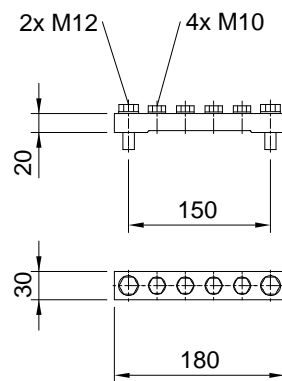
Type	Thread M (mm)
10	M10
12	M12

Ordering information

M10

6138.10 Earthing connection to rail, on both sides





Material
hot-dip galvanised, A2/A4

Note
For masts with holes in
base plate 1212, 1222.1

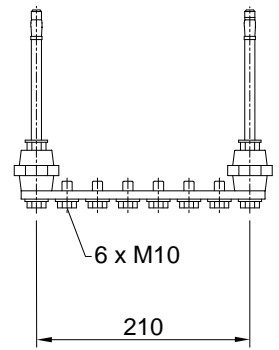
Ordering information
6140 Busbar 4-fold

Note

For insulated fixing to concrete wall

Ordering information

6141 Busbar 6-fold with insulaors



Earth rope clamp for square section, rope 50-150 mm²

6211

Mast range

HEB profiles 100 / 120 / 140 / 160-200 / 220-260

Note

Supplied complete with U-bolts.

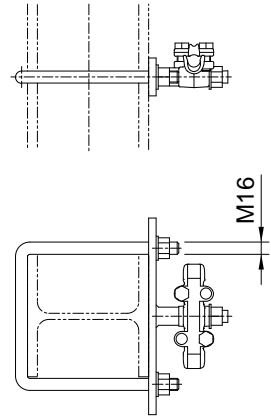
Drawing number

472.00006, .00019

Ordering information

on HEB 220

6211.22 Earth rope clamp for square section, rope 50-150 mm²



Earth rope clamp for square section, Aldrey rope 200-300 mm²

6211.1

Mast range

HEB profiles 100 / 120 / 140 / 160-200 / 220-260

Note

Supplied complete with U-bolts.

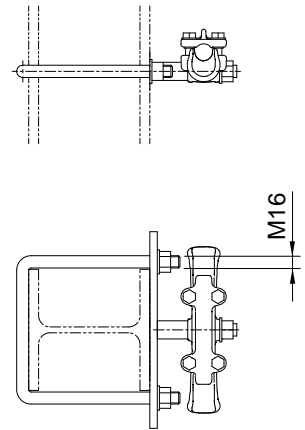
Drawing number

472.00270, .00273, .00273-1, .00273-2

Ordering information

on HEB 220

6211.1.22 Earth rope clamp for square section, Aldrey rope 200-300 mm²



Offset earth rope clamp for square section, rope 50-150 mm²

6212

Mast range

HEB profiles 100-140 / 160-200 / 220-260

Type	A (mm)
10	255
12	255
14	255
16	225
18	225
20	225
22	195
24	195
26	195

10 255

12 255

14 255

16 225

18 225

20 225

22 195

24 195

26 195

Note

Supplied complete with U-bolts.

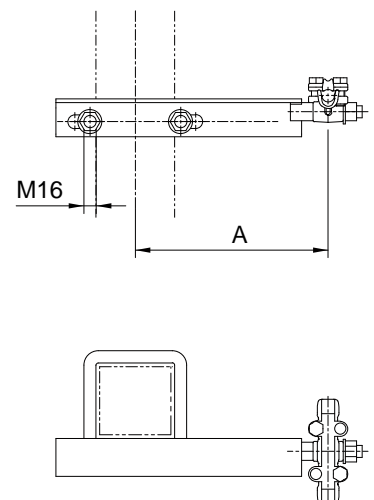
Drawing number

472.00035

Ordering information

on HEB 100

6212.10 Offset earth rope clamp for square section, rope 50-150 mm²



Mast range

HEB profiles 100-140 / 160-200 / 220-260

Type	A (mm)
10	266
12	266
14	266
16	236
18	236
20	236
22	206
24	206
26	206

Note

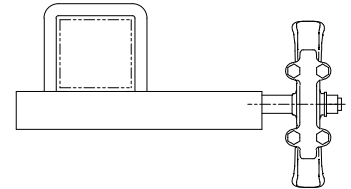
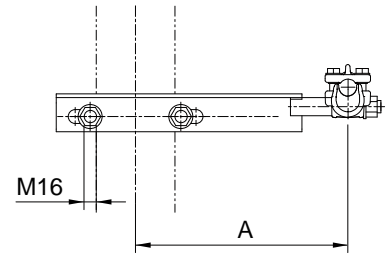
Supplied complete with U-bolts.

Drawing number

472.00035-3

Ordering information

on HEB 100

6212.1.10 Offset earth rope clamp for square section,
Aldrey rope 200-300 mm²**Mast range**

HEB profiles 160-200 / 220-260

Type	L (mm)
05	500
10	1000

Fasteners

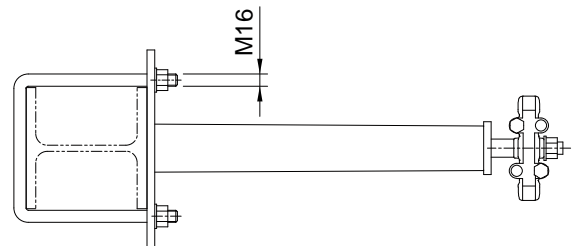
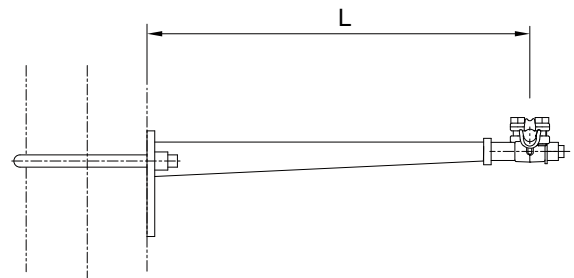
Supplied complete with U-bolts.

Drawing number

412.00143, .00143-1

Ordering information

Length 500 mm, on HEB 240

6213.05.24 Stand-off for earth rope 50-150 mm²

Mast range

HEB profiles 160-200 / 220-260

Type	L (mm)
05	500
10	1000

Fasteners

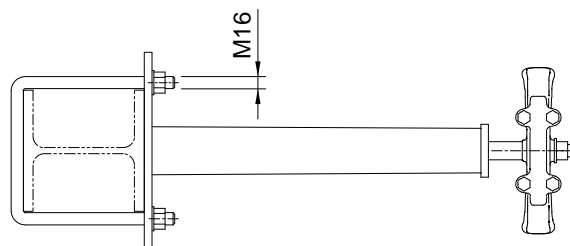
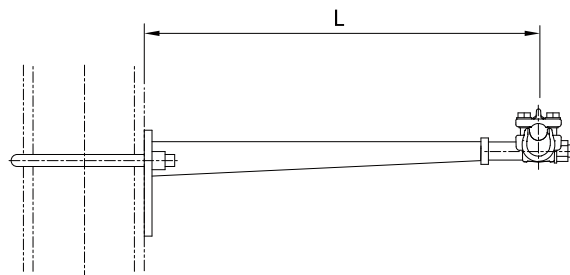
Supplied complete with U-bolts.

Drawing number

412.00398, .00398-1

Ordering information

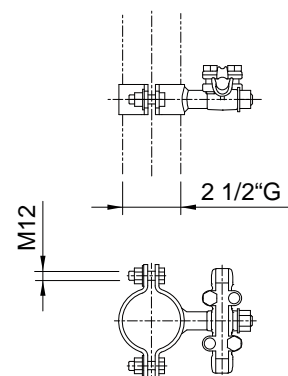
Length 1000 mm, on HEB 220

6213.1.10.22 Stand-off for earth rope
Aldrey 200-300 mm²Earth rope clamp, rope 50-150 mm², for 2 1/2" G tube

6214

Drawing number

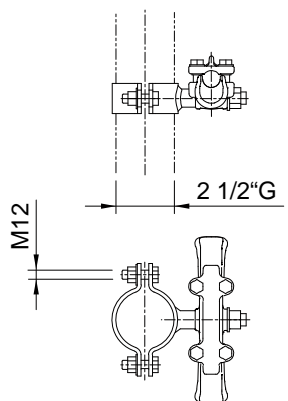
472.00009

Ordering information6214 Earth rope clamp, rope 50-150 mm²,
for 2 1/2" G tubeEarth rope clamp, Aldrey rope 200-300 mm², for 2 1/2" G tube

6214.1

Drawing number

472.00009-2

Ordering information6214.1 Earth rope clamp, Aldrey rope 200-300 mm²,
for 2 1/2" G tube

Twin earth rope clamp, offset, rope 50-150 mm²

6215

Mast range

HEB profiles 120

Note

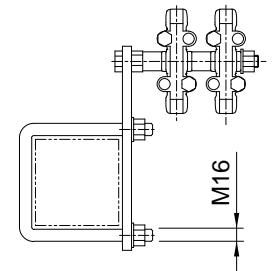
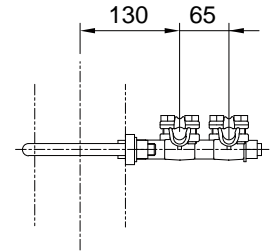
Supplied complete with U-bolts.

Drawing number

962.00311

Ordering information

6215 Twin earth rope clamp, offset, rope 50-150 mm²



Earth rope clamp for cantilever, rope 50-150 mm²

6216

Type Cantilever

1	I and II
2	III / 65
3	III / 100

Note

Supplied complete with U-bolts.

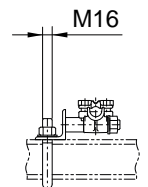
Drawing number

472.00038, .00045, .00046

Ordering information

on cantilever I and II

6216.1 Earth rope clamp for cantilever



Earth rope clamp for pull-off arm, rope 50-150 mm²

6217

Note

On pull-off arm for cantilever type III and on cantilever type IV with pull-off arm.

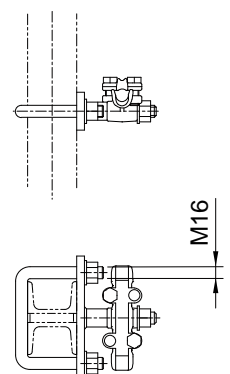
Supplied complete with U-bolts.

Drawing number

472.00006-1

Ordering information

6217 Earth rope clamp for pull-off arm, rope 50-150 mm²



Type	Gantry
1	60 - 90
2	100 - 130

Note

Length L min. 1,5 m
 Length L max. 2,5 m
 Available in steps of 0,5 m.
 Supplied complete with U-bolts.

Associated parts

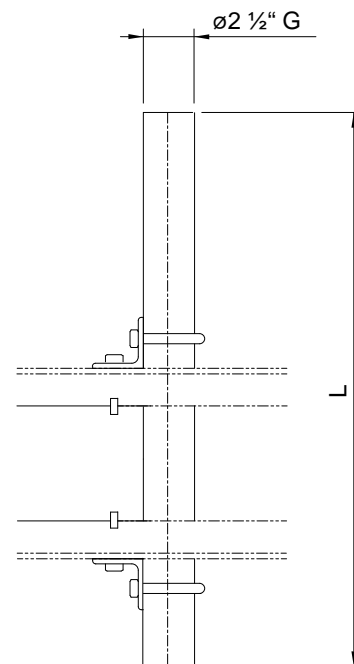
Earth rope clamp 6214

Drawing number

472.00053, .00300

Ordering information

on gantry beam 60-90, length 2,00 m
 6218.1.20 Tube for earth rope clamp on gantry beam



Earth rope clamp for drop bracket from gantry or upright on gantry, rope 50-150 mm²

Note

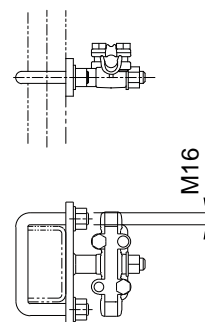
On U 100 / 50 at drop bracket
 from gantry or upright on gantry
 Supplied complete with U-bolts.

Drawing number

472.00158

Ordering information

6219 Earth rope clamp for drop bracket
 from gantry or upright on gantry,
 rope 50-150 mm²



Clip for earthing rod on conductor rail support

6222

Material

Al

Note

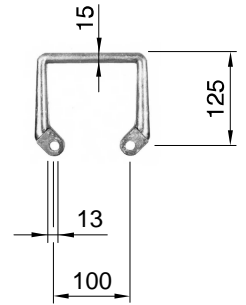
Fastening to swivel head 2642

Drawing number

962.00811

Ordering information

6222 Clip for earthing rod on
conductor rail support



Clip for earthing rod on conductor rail

6223

Material

Fe stainless / Al

Note

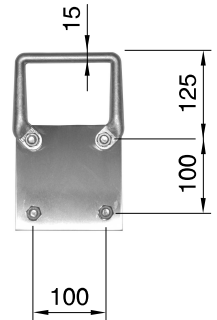
Fastening to rigid bar 4611

Drawing number

962.00515

Ordering information

6223 Clip for earthing rod on
conductor rail



Material

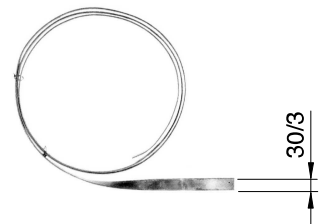
Cu

Note

When ordering, state length.

Ordering information

6241 Copper strip soft, for earthing



Material
Synthetic

Type	M (mm)	t (mm)	D1 (mm)	D2 (mm)	drilling (ømm)
10	10	4 - 6	30	16.0	17 - 18
12	12	8 - 12	32	16.0	17 - 18
16	16	10 - 15	38	20.0	21 - 23
20	20	13 - 19	45	25.0	26 - 28
24	24	18 - 27	52	28.3	30 - 32
30	30	30 - 45	70	35.5	37 - 39
36	36	33 - 49	80	40.0	42 - 45

Note

To increase the contact resistance between screws and the base plate.
Special applications upon consultation with the design department.

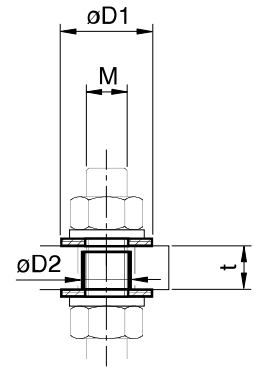
Drawing number

428.00026

Ordering information

for M30

6311.30 Insulating set for bolts



Material

Washer Synthetic
Sleeve Synthetic

Note

Foundation anchor stirrup 1131
Anchor rope \varnothing 20 mm 1311.2

Resistance

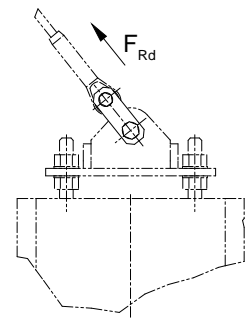
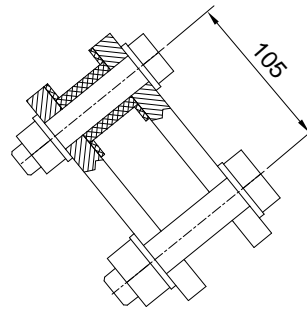
F_{Rd} (kN) = 104

Drawing number

336.00032

Ordering information

6321 Insulating set for anchor connection



Note

In place of the insulator bolt \varnothing 16 mm.

Associated parts

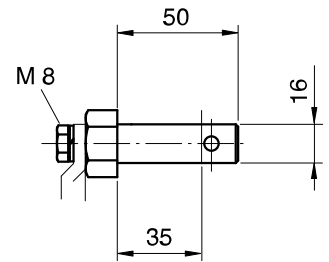
Cable lug 4513

Drawing number

472.00013

Ordering information

6331 Pin for earth connection



Type Used for

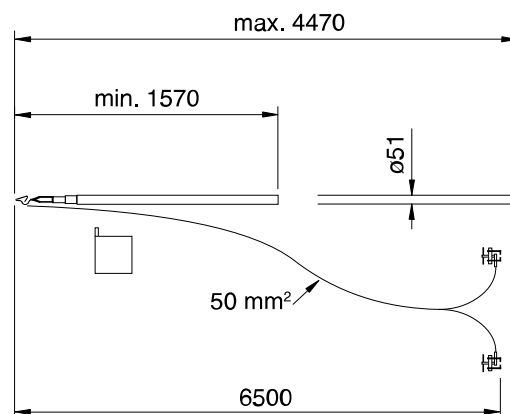
1 connection to rail

Note

Supplied complete with signal flag.
Order bag for carrying
and storage separately.
Suspension arrangement 6441 onw

Ordering information

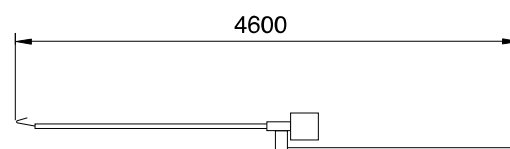
6414.1 Four-part telescopic earthing rod

**Note**

For 15 kV / 16.7 Hz. With optical indication,
built-in test system and bag
for carrying and storage.
Transport length 2,40 m.

Ordering information

6415 Two-piece voltage tester



Mast range

HEB profiles 160-260

Note

Rod supports and tube holders are included.

Fasteners

Supplied complete with U-bolts.

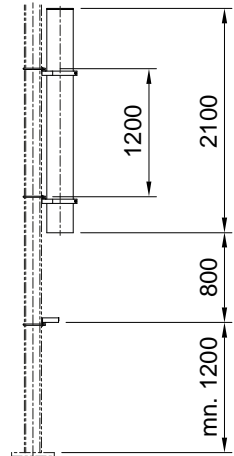
Drawing number

474.00068

Ordering information

on HEB 180

6422.18 Protective tube for earthing rod



Type	Electric contact	D Earthing-rod (mm)
01.30	without	30
01.40	without	40
02.30	included	30
02.40	included	40

Note

Fastening according to local conditions. Includes locking device and bracket for earthing rod.

Type with lock cylinder, Key relation 1:1.

Other key relations and individual solutions on request.

Not suitable for unprotected outdoor applications.

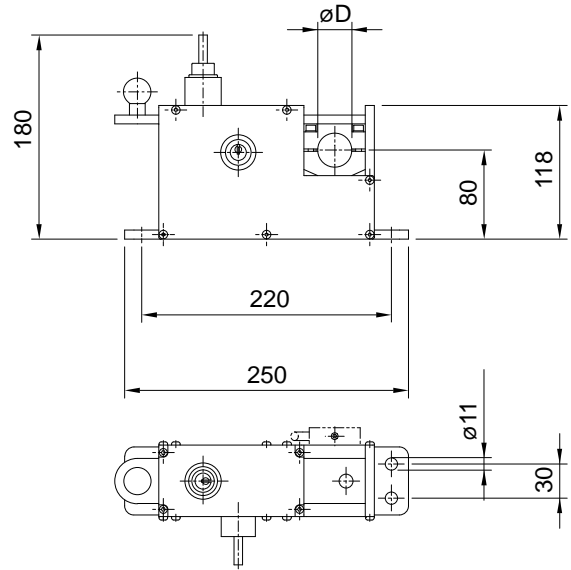
Drawing number

585.00037, .00114, .00122, .00123

Ordering information

for earthing rod \varnothing 30 mm

6431.1.01.30 Locking device for earthing rod without pressure contact



Type	\varnothing D Earthing-rod (mm)
30	30
40	40

Type	Key-bolt form
Re	Rectangular
Tr	Trapezium
Hk	Semicircle
Hm	Crescent
Wa	Shield
Kr	Cross
De	Triangle
ZY	Lock

Note

When ordering please state key-bolt form, or if with lock. Delivered complete with key.

Associated parts

Cross arm on mast 6437 onw

Dependency

If the earthing rod is locked, the key is free. The earthing rod is free, if the key is locked.

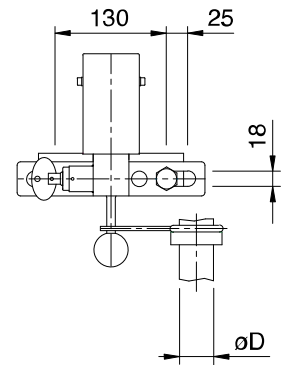
Drawing number

474.00146-1, .00498-1

Ordering information

with electrical push contact, for earthing rod \varnothing 30 mm, with a key-bolt "Trapezium"

6432.1.30.Tr Earthing rod lock with contact and 1 key-bolt



Type	øD Earthing-rod (mm)
30	30
40	40

Type	Key-bolt form
Re	Rectangular
Tr	Trapezium
Hk	Semicircle
Hm	Crescent
Wa	Shield
Kr	Cross
De	Triangle
ZY	Lock

Note

When ordering please state key-bolt form, or if with lock. Delivered complete with key.

Associated parts

Cross arm on mast 6437 onw

Dependency

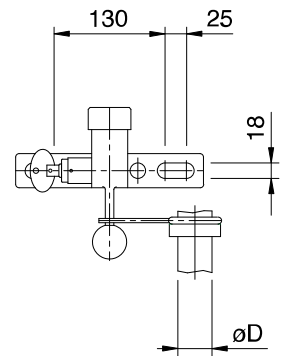
If the earthing rod is locked, the key is free. The earthing rod is free, if the key is locked.

Drawing number

474.00146, .00498

Ordering information

without electrical push contact, for earthing rod ø 30 mm, with a key-bolt "Cross"
6432.2.30.Cr Earthing rod lock with 1 key-bolt



Type	øD Earthing-rod (mm)
30	30
40	40

Type	Key-bolt form
Re	Rectangular
Tr	Trapezium
Hk	Semicircle
Hm	Crescent
Wa	Shield
Kr	Cross
De	Triangle
ZY	Lock

Note

When ordering please state key-bolt form, or if with lock. Delivered complete with key.

Associated parts

Cross arm on mast 6437 onw

Dependency

If the earthing rod is locked, the keys are free. The earthing rod is free, if the keys are locked.

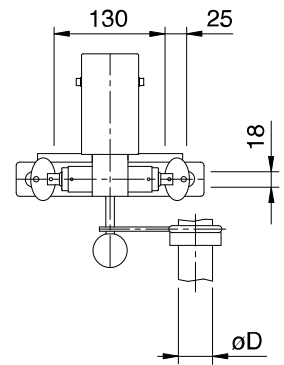
Other dependencies on request.

Drawing number

474.00149-1, .00524-1

Ordering information

with electrical push contact, for earthing rod ø 30 mm, with a key-bolts "Cross" and "Crescent"
 6432.3.30.Cr.Hm Earthing rod lock with contact and 2 key-bolts



Type	øD Earthing-rod (mm)
30	30
40	40

Type	Key-bolt form
Re	Rectangular
Tr	Trapezium
Hk	Semicircle
Hm	Crescent
Wa	Shield
Kr	Cross
De	Triangle
ZY	Lock

Note

When ordering please state key-bolt form, or if with lock. Delivered complete with key.

Associated parts

Cross arm on mast 6437 onw

Dependency

If the earthing rod is locked, the keys are free. The earthing rod is free, if the keys are locked.

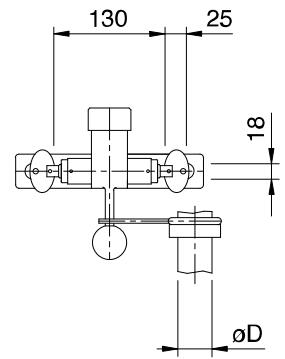
Other dependencies on request.

Drawing number

474.00149, .00524

Ordering information

without electrical push contact, for earthing rod ø 30 mm, with a key-bolts "Cross" and "Lock"
6432.4.30.Cr.ZY Earthing rod lock with 2 key-bolts



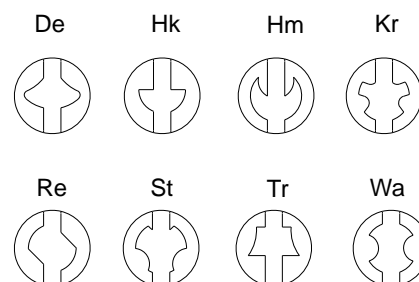
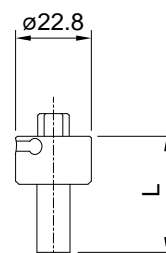
Type	L (mm)	Used for
1	24	6431
2	35	6432.1

Type	Key-bolt form
Re	Rectangular
Tr	Trapezium
Hk	Semicircle
Hm	Crescent
Wa	Shield
Kr	Cross
De	Triangle

Note
Key 7232

Drawing number
585.00030

Ordering information
for article 6431, Semicircle
6433.1.Hk Key-bolt for earthing rod lock



Key holder box mechanical, multiplication type

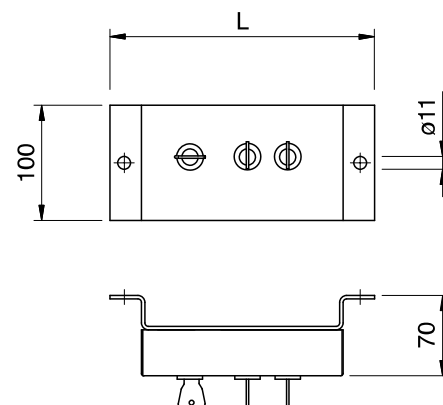
6435

Type	Key relation	L (mm)
02	1:2	230
03	1:3	265
04	1:4	300
05	1:5	335
06	1:6	370

Note
Fastening according to local conditions.
Other key relations and individual solutions on request.
Key system SEA
Not suitable for unprotected outdoor applications.

Drawing number
474.00105-1 - .00105-5

Ordering information
Key relation 1:3, Systeme SEA
6435.03.S Key holder box mechanical, multiplication type



Type	Key relation	L (mm)
01	1:1	195
02	1:2	230
03	1:3	265
04	1:4	300

Note

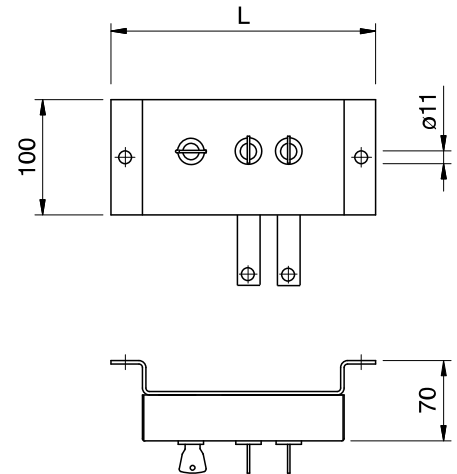
Fastening according to local conditions.
Other key relations and individual solutions on request.
Key system SEA
Not suitable for unprotected outdoor applications.

Drawing number

474.00104, .00104-1 - .00104-3

Ordering information

Key relation 1:3, Systeme SEA
6436.03.S Key holder box mechanical, multiplication type with inserts

**Pole range**

Section HEB 160 / 180-240 / 260

Fasteners

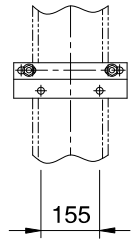
Supplied complete with bolt and U-bolts.

Drawing number

474.00250 - .00252

Ordering information

on HEB 180
6437.18 Cross arm for fastening earthing rod lock on mast

**Pole range**

Section HEB 160 / 180-240 / 260

Fasteners

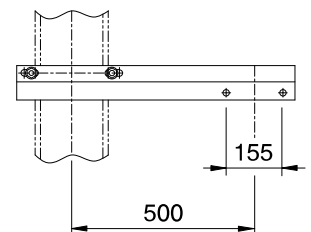
Supplied complete with bolts and U-bolts.

Drawing number

474.00119-1, .00414, .00415

Ordering information

on HEB 180
6438.18 Cross arm for fastening earthing rod lock on mast, offset



Mast range

HEB profiles 160-260

Type	kV	L (mm)
1	1.5	350
2	15.0	500

Note

Earthing rod [6411](#) onw
Protective tube 6422

Fasteners

Supplied complete with U-bolts.

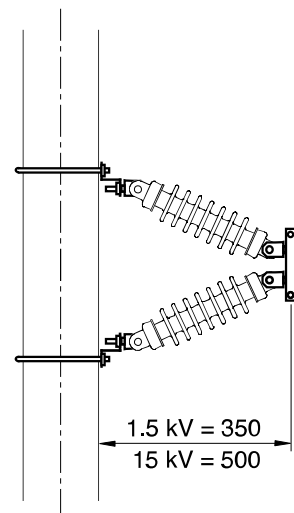
Drawing number

474.00258, .00259

Ordering information

Type 1 on HEB 240

6441.1.24 Suspension arrangement for
section-free earthing

**Mast range**

HEB profiles 160-260

Note

Earthing rod [6411](#) onw
Protective tube 6422

Fasteners

Supplied complete with U-bolts.

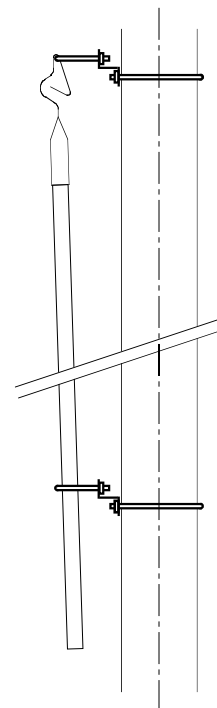
Drawing number

474.00378

Ordering information

on HEB 200

6442.20 Suspension set for earthing
rod



Mast number plate holder, three digits

6711

Material

Fe stainless

Type	HEB (mm)	L (mm)
16	160	210
18	180	210
20	200	250
22	220	250
24	240	290
26	260	290

Note

Number plate 6721 onw

Fasteners

Supplied complete with U-bolts.

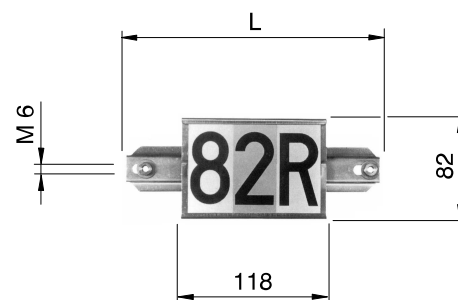
Drawing number

584.00001

Ordering information

on HEB 200

6711.20 Mast number plate holder, three digits



Number plate holder, bold fixation

6713

Material

Fe stainless

Type	Digits	Used for
3.1	3	wooden and round poles
3.2	3	int tunnel, on masonry

Note

Number plate 6721 onw

Supplied with bolts

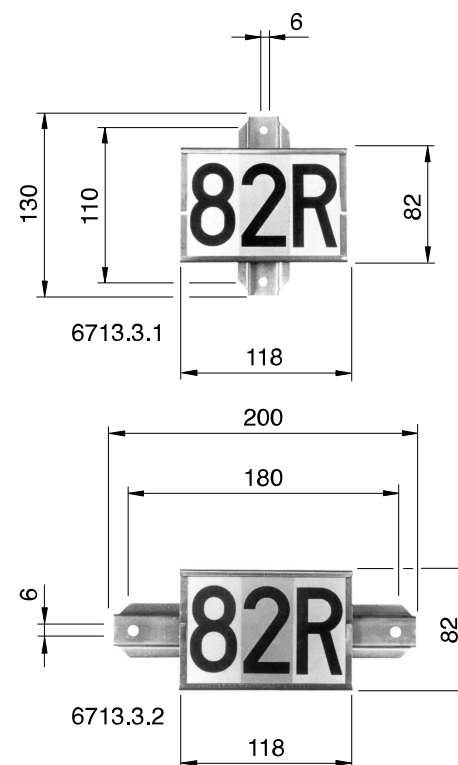
Drawing number

584.00002, .00023

Ordering information

3 digits, on wooden and round poles

6713.3.1 Number plate holder, bold fixation



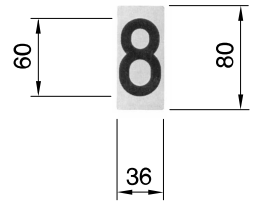
Number plate**6721**

Material
Al anodised
Digits black

Note
Digits 0 - 9 available.

Drawing number
584.00006

Ordering information
Digit 8
6721.8 Number plate

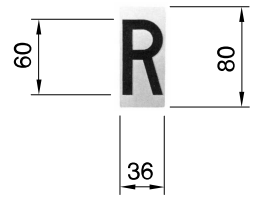
**Letter plate****6722**

Material
Al anodised
Letters black

Note
Entire alphabet available.

Drawing number
584.00006-1

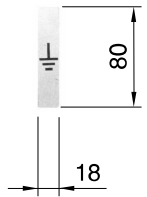
Ordering information
Letter R
6722.R Letter plate

**Earthing symbol****6723**

Material
Al anodised
Symbol black

Drawing number
584.00015

Ordering information
6723 Earthing symbol

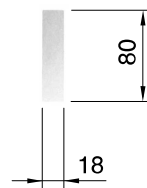
**Blank plate****6724**

Material
Al anodised

Type	L (mm)
1	18
2	36

Drawing number
584.00006-2

Ordering information
Width 18 mm
6724.1 Blank plate



Mast range

HEB profiles 180-260

Material

Al

Note

Supplied complete with U-Bolt M6

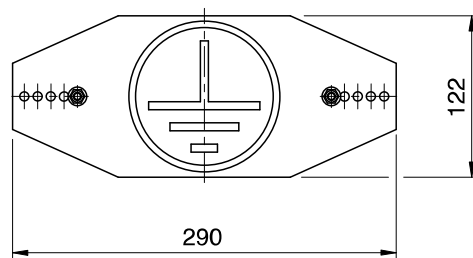
Drawing number

584.00039

Ordering information

for HEB 220

6725.22 Earthing plate

**Type Description****1.00** without junction box and cable**1.05** with junction box and 5 m cable**Note**

Fastening as per local situation.

DB AG authorization.

Other signal aspects on request.

Other cable lengths available on request.

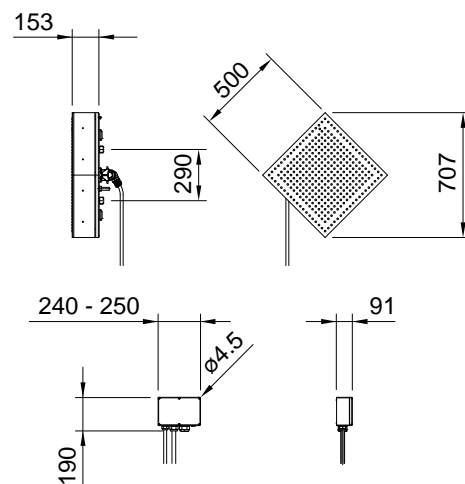
Drawing number

581.00086, .00087

Ordering information

LED signal EL6 with junction box and cable

6731.1.05 LED signal EL6

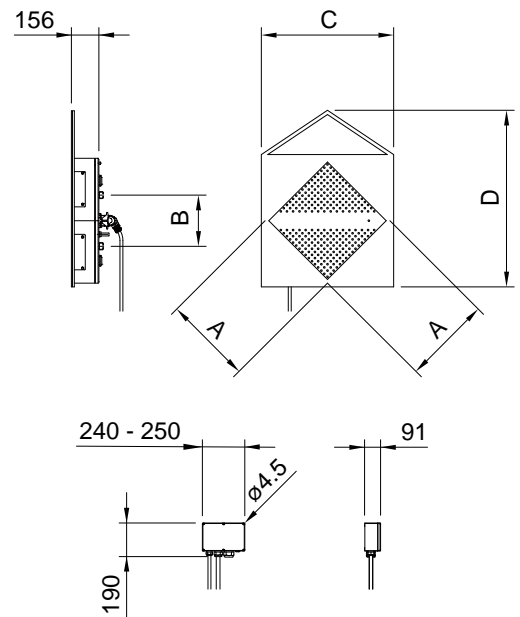


Type	A (mm)	B (mm)	C (mm)	D (mm)	Description
1.00	500 x 500	290	750	1000	without junction box and cable
1.05	500 x 500	290	750	1000	with junction box and 5 m cable
2.00	300 x 300	170	450	600	without junction box an cable
2.05	300 x 300	170	450	600	with junction box and 5 m cable

Note
Fastening of the signal as per local situation.
Other cable lengths available on request.

Drawing number
581.00076, .00077, .00111, .00119

Ordering information
500 x 500 with junction box and cable
6732.1.05 Lower pantograph signal 705 LED



LED dead section advanced signal 709

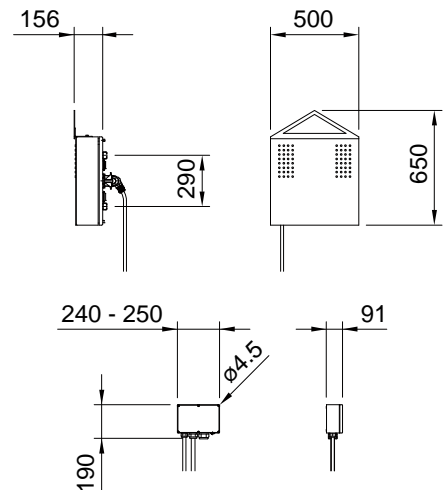
6733

Type	Description
1.00	without junction box and cable
1.05	without junction box and 5 m cable

Note
Fastening as per local situation.
Other cables lengths available on request.

Drawing number
581.00114, .00177

Ordering information
without junction box and cable
6733.1.00 LED dead section advanced signal 709



LED dead section power off signal 711

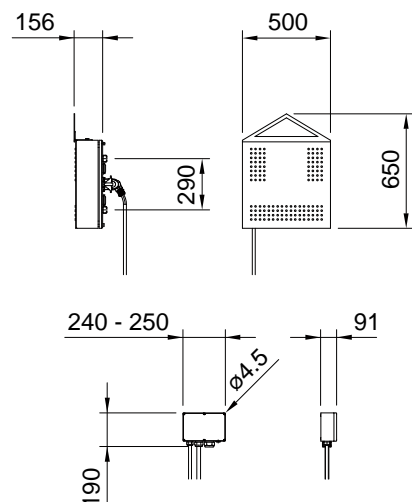
6734

Type	Description
1.00	without junction box and cable
1.05	with junction box and 5 m cable

Note
Fastening as per local situation.
Other cable lengths available on request.

Drawing number
581.00115, .00178

Ordering information
without junction box and cable
6734.1.00 LED dead section power off signal 711



Type Description**1.00** without junction box and cable**1.05** with junction box and 5 m cable**Note**

Fastening as per local situation.

Other cable lengths available on request

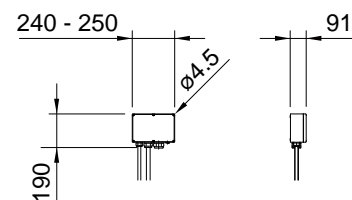
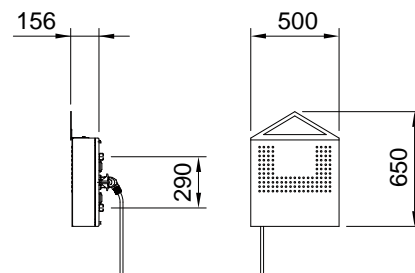
Drawing number

581.00116 .00179

Ordering information

with junction box and 5 m cable

6735.1.05 LED dead section power on signal 713



Lower pantograph signal

6741

Material

Aluminium plate with adhesive film, reflective
Background yellow, mark black

Type Description

1	large signal
2	small signal

Note

Can be used as a lower pantograph signal
or section end sign.

Associated parts

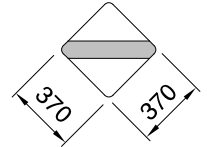
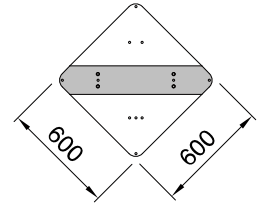
Holder 6743 / 6744
Swivel device 6791 onw

Drawing number

581.00033, .00034

Ordering information

Type 2, small sign
6741 Lower pantograph signal



Holder for lower pantograph sign

6743

Note

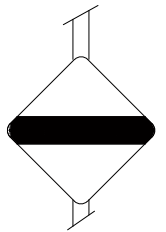
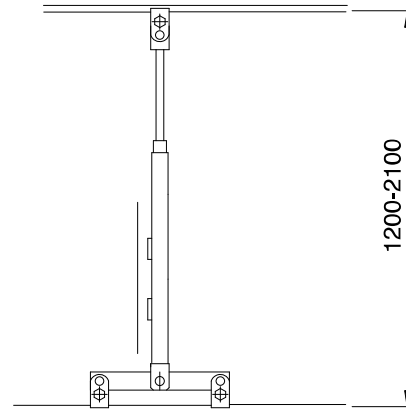
Order the plate separately.

Drawing number

582.00009

Ordering information

6743 Holder for lower pantograph sign



Holder for lower pantograph sign, small

6744

Note

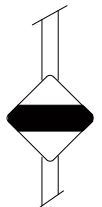
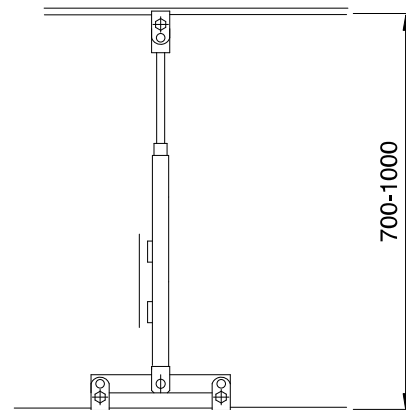
Order panel separately

Drawing number

582.00010

Ordering information

6744 Holder for lower pantograph
sign, small



Sectioning sign

6751

Mast range

HEB profiles 160-260

Material

Steel plate enamelled

Fasteners

Supplied complete with U-bolts.

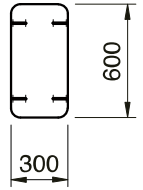
Drawing number

581.00039

Ordering information

on HEB 220

6751.22 Sectioning sign



Neutral section power off sign

6752

Material

Aluminium plate with adhesive film, reflective
Background yellow, mark black

Type	Description
------	-------------

1	large signal
---	--------------

2	small signal
---	--------------

Drawing number

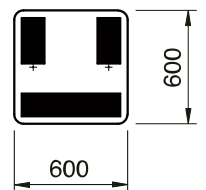
581.00036, .00036-1

Ordering information

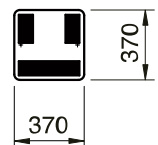
Type 1, large sign

6752.1 Neutral section power off sign

6752.1



6752.2



Dead section power on sign

6753

Material

Aluminium plate with adhesive film, reflective
Background yellow, mark black

Type	Description
------	-------------

1	large signal
---	--------------

2	small signal
---	--------------

Note

|

Drawing number

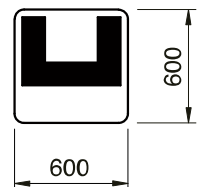
581.00037, .00037-1

Ordering information

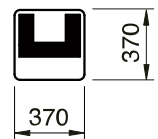
Type 2, small sign

6753.2 Dead section power on signal

6753.1



6753.2



Neutral section distant signal

6754

Material

Aluminium plate with adhesive film, reflective
Background yellow, mark black

Type Description

1	large signal
2	small signal

Drawing number

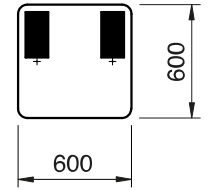
581.00123, .00123-1

Ordering information

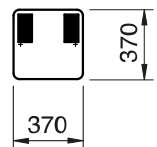
Type 1, large signal

6754.1 Neutral section distant signal

6754.1



6754.2



Lower pantograph distant signal

6755

Material

Aluminium plate with adhesive film, reflective
Background yellow, mark black

Type Description

1	large signal
2	small signal

Drawing number

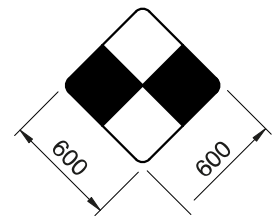
581.00038, .00038-1

Ordering information

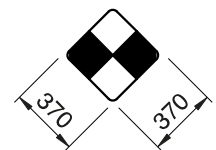
Type 2, small signal

6755.2 Lower pantograph distant signal

6755.1



6755.2



Mast range

HEB profiles 160-260

Material

Al-cast

Background yellow, script black

Type Language

Type	Language
D	German
F	French
I	Italian

Fasteners

Supplied complete with U-bolts.

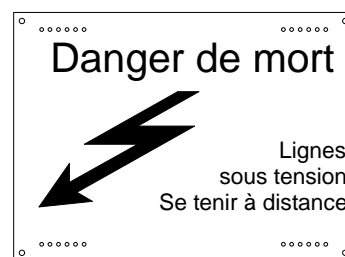
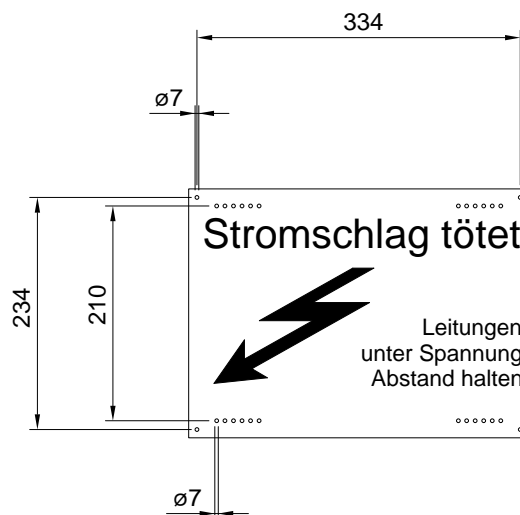
Drawing number

581.00101, .00102

Ordering information

German, on HEB 220

6761.D.22 Warning sign on mast



Material

Al-cast
Background yellow, script black

Type Language

D	German
F	French
I	Italian

Note

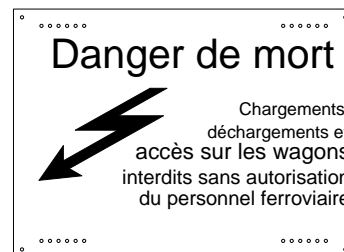
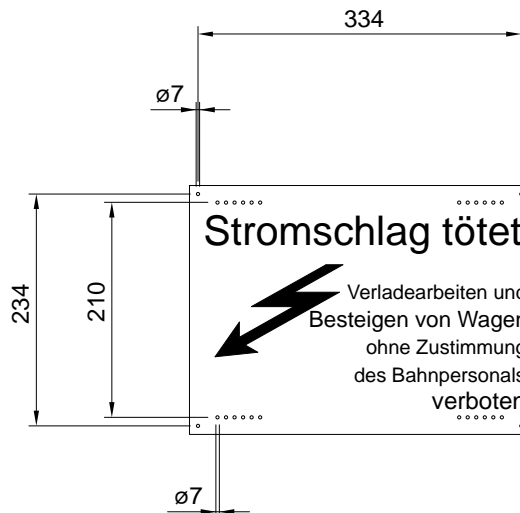
When fitting to HEB 160-260 mast:
order U-bolt 3111 separately

Fasteners

Order with bolts and dowels for fastening
to walls separately

Ordering information

Italian
6762.I Warning sign for loading areas



Material

Al-cast
Background yellow, script black

Type Language

D	German
F	French
I	Italian

Note

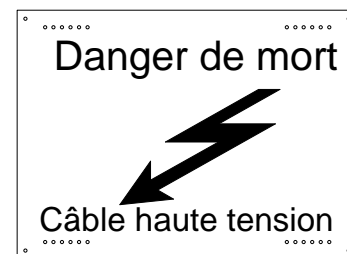
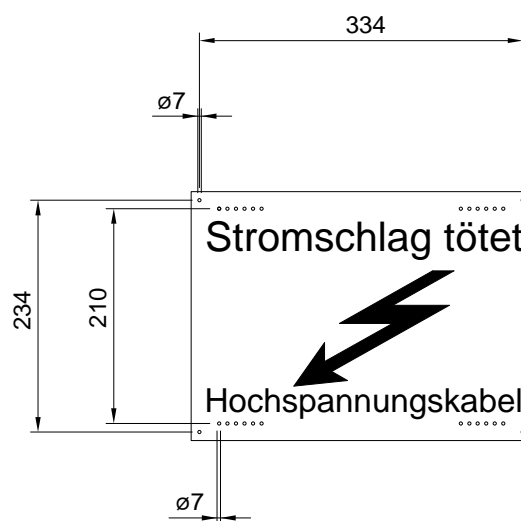
When fitting to HEB 160-260 mast:
order U-bolt 3111 separately

Fasteners

Order with bolts and dowels for fastening
to walls separately

Ordering information

French
6762.1.F Warning sign
for high voltage cable

**Material**

Al-cast
Background yellow, mark black

Associated parts

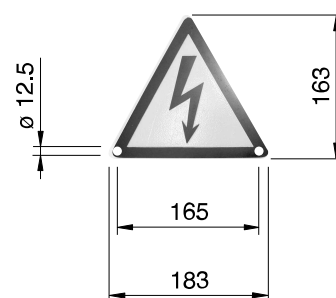
Clamp for crossing rod 4242

Drawing number

581.00021

Ordering information

6763 Warning sign



Type	Description
1	with warning sign
2	without warning sign

Note

For fastening the warning sign
at cantilever tube $\varnothing 48 / 1\ 1/2''$.

Associated parts

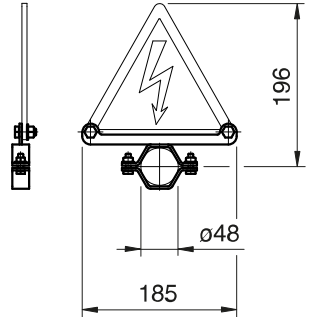
Warning sign 6763
Porter tube 5524

Drawing number

581.00105, .00148

Ordering information

with warning sign
6764.1 Bracket complete



Type	Profile (mm)	L (mm)
10	100 x 100	180
12	120 x 120	200

Note

LED signal adjustable from side)V°)
 x = Connecting dimension for LED signal

Fasteners

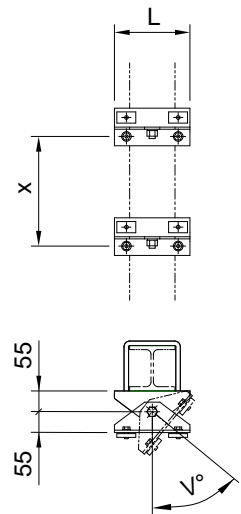
Supplied complete with U-bolts

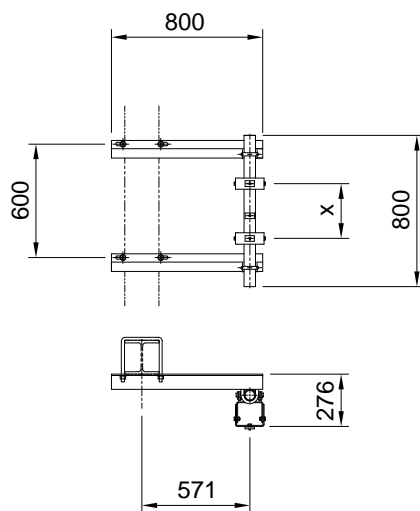
Drawing number

582.00104, .00104-1

Ordering information

on profile 120 x 120
 6771.0.12 Mounting bracket for
 LED signal on square profile 120





Mast range

HEB profile 180 - 260

Note

LED signal adjustable from side
 x = Connecting dimension for LED signal

Associated parts

LED signal 6731 onw

Fasteners

Supplied complete with U-bolts

Drawing number

582.00099, 00099-1

Ordering information

on HEB 220
 6771.1.22 *Mounting bracket lateral
 for LED-signal on mast HEB 220*

Type	S (mm)	Joug (mm)
26	260	J60 - J90
40	400	J60 - J130

Note

LED signal adjustable from side

x = Connecting dimension for LED signal

Associated parts

LED signal 6731 onw

Fasteners

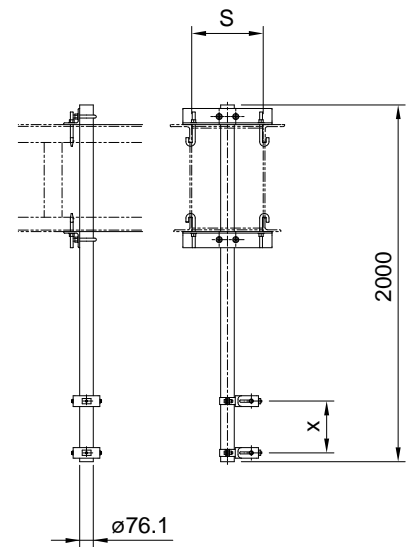
Supplied complete with hook and support angle

Drawing number

582.00083, .00083-1

Ordering information

6771.2.26 Mounting bracket for LED signal
on gantry beam J60-J90, Spread 260



Mast range

HEB profiles 160-260

MaterialAluminium plate with adhesive film, reflective
Background yellow, mark black

Type	Plate	A (mm)
1	large	600
2	small	370

Note

X = Axis of operating rod

Differnt rod arrangement possible, to
be agreed.Supplied complete with large 6741.1 or
small plate 6741.2**Fasteners**

Supplied complete with U-bolts.

Stroke length

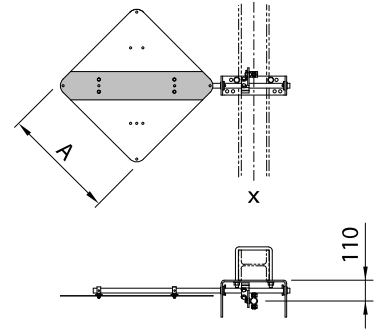
120

Drawing number

566.00229, .00234

Ordering information

with large plate, on HEB 220

6791.1.22 Swivel device with lower
pantograph signal

Mast range

HEB profiles 160-180 / 200-220 / 240-260

Note

Fuse box LED 6841.1

Fasteners

Supplied complete with clamps.

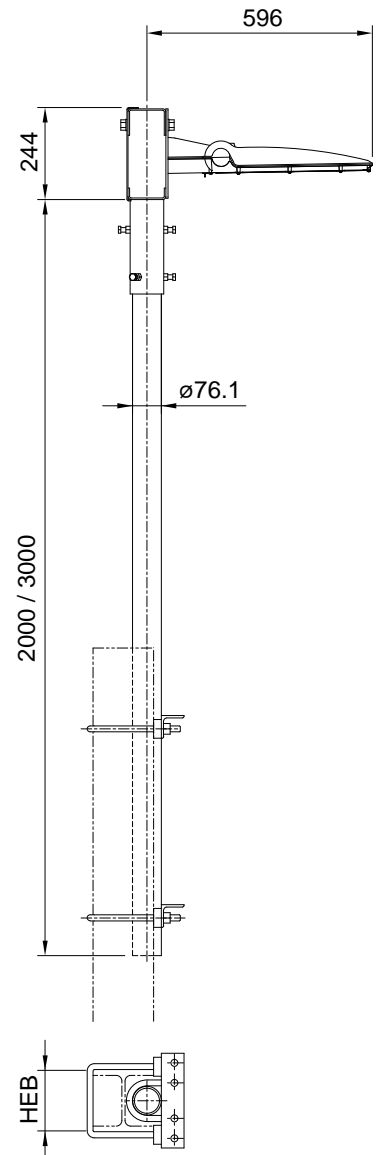
Drawing number

887.00190, .00195

Ordering information

on HEB 240, Length 2000 mm

6811.20.24 LED lamp single on mast



Mast range

HEB profiles 160-180 / 200-220 / 240-260

Note

Fuse box LED 6841.1

Fasteners

Supplied complete with clamps.

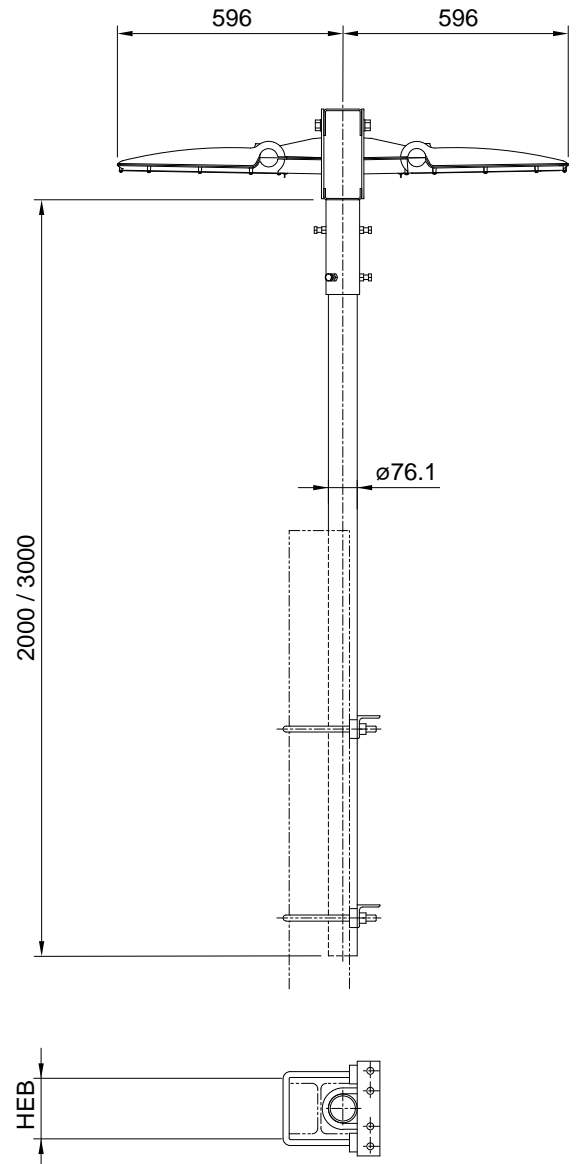
Drawing number

887.00196, .00197

Ordering information

on HEB 240, Length 2000 mm

6812.20.24 LED lamp double on mast



LED lamp single, fastened directly on mast

6814

Mast range

HEB profiles 180 - 260

Note

Fuse box LED 6841.1

Fasteners

Supplied complete with clamps.

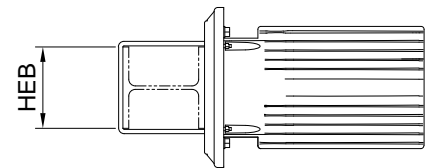
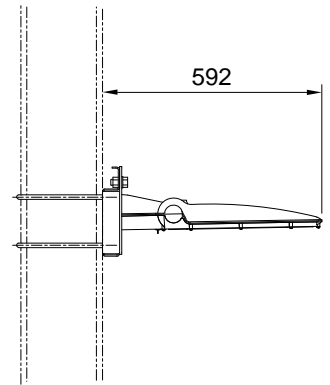
Drawing number

887.00200

Ordering information

on HEB 240

6814.24 LED lamp single, fastened directly on mast



LED lamp double, fastened directly on mast

6815

Mast range

HEB profiles 180 - 260

Note

Fuse box LED 6841.1

Fasteners

Supplied complete with clamps.

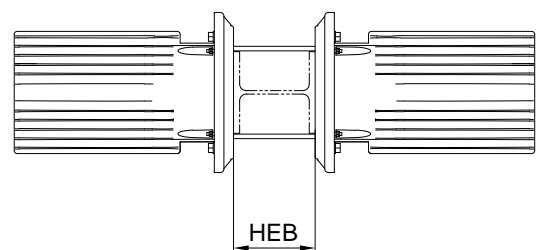
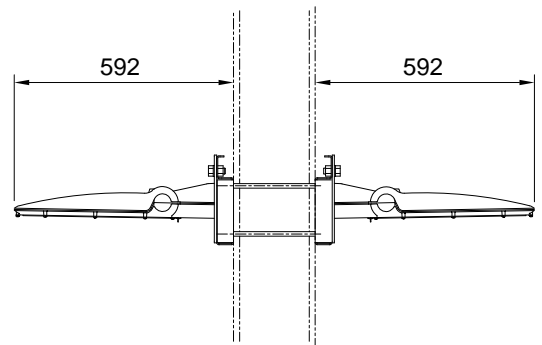
Drawing number

887.00202

Ordering information

on HEB 240

6815.24 LED 100 lamp double, fastened directly on mast



Note

Fuse box LED 6841.1

Fasteners

Supplied complete with support angles and hook bolts.

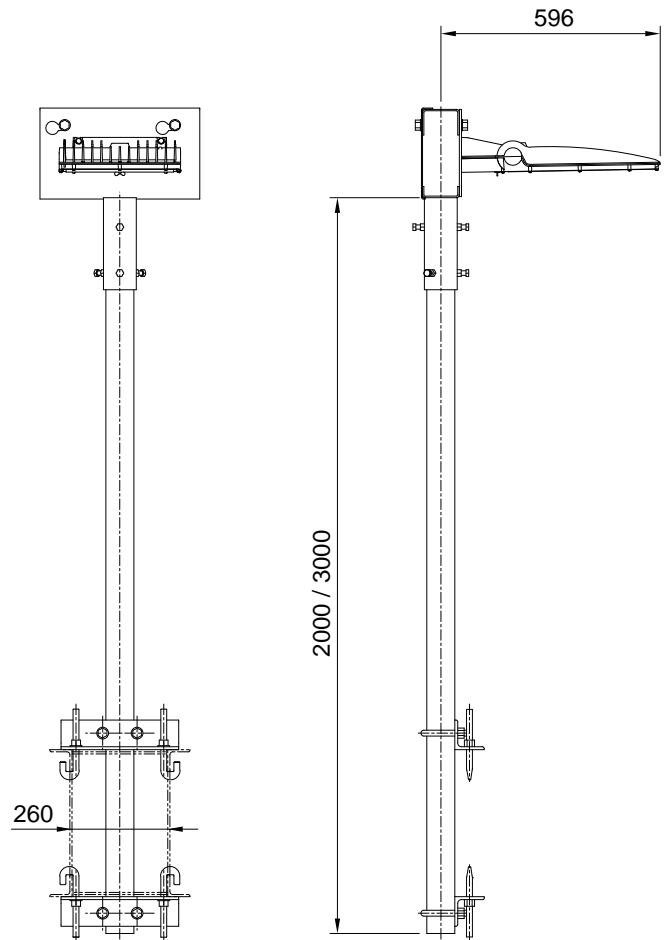
Drawing number

887.00203, .00203-1

Ordering information

Length 2000 mm

6821.20 LED lamp single on gantry
J60 - J90, Spread 260



Note

Fuse box LED 6841.1

Fasteners

Supplied complete with support angles and hook bolts.

Drawing number

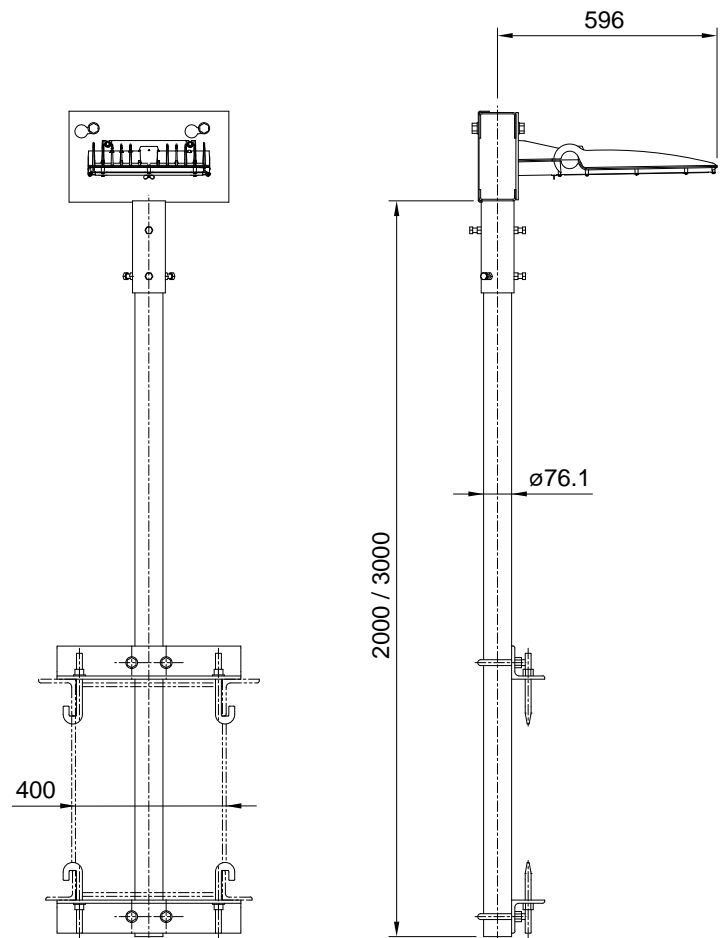
887.00209, .00209-1

Ordering information

Length 3000 mm

6822.30 LED lamp single on gantry

J60 - J130, Spread 400



Note

Fuse box LED 6841.1

Fasteners

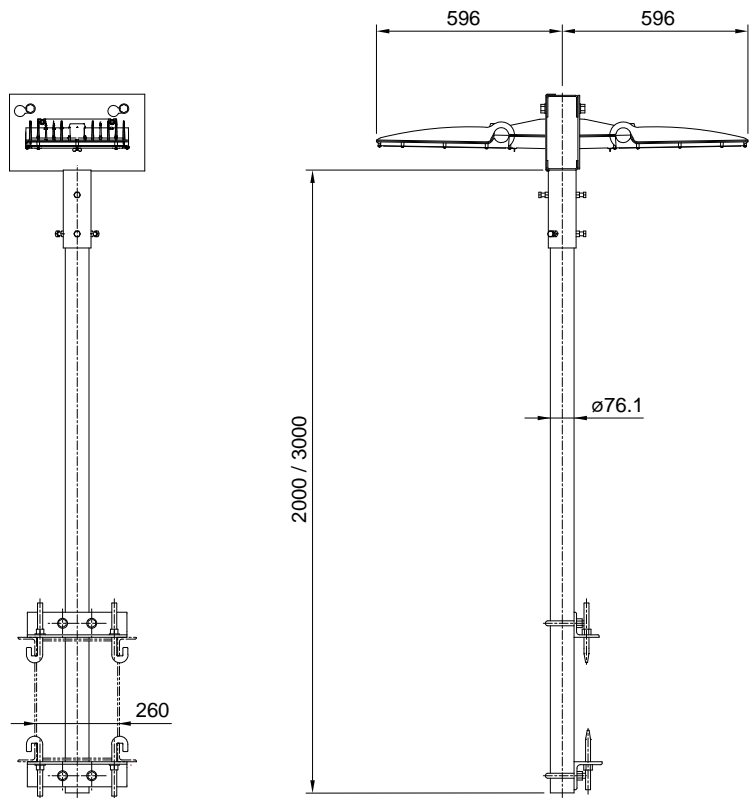
Supplied complete with angles and hook bolts.

Drawing number

887.00208, .00208-1

Ordering information

Length 3000 mm

6823.30 LED lamp double
on gantry J60 - J90, Spread 260**Note**

Fuse box LED 6841.1

Fasteners

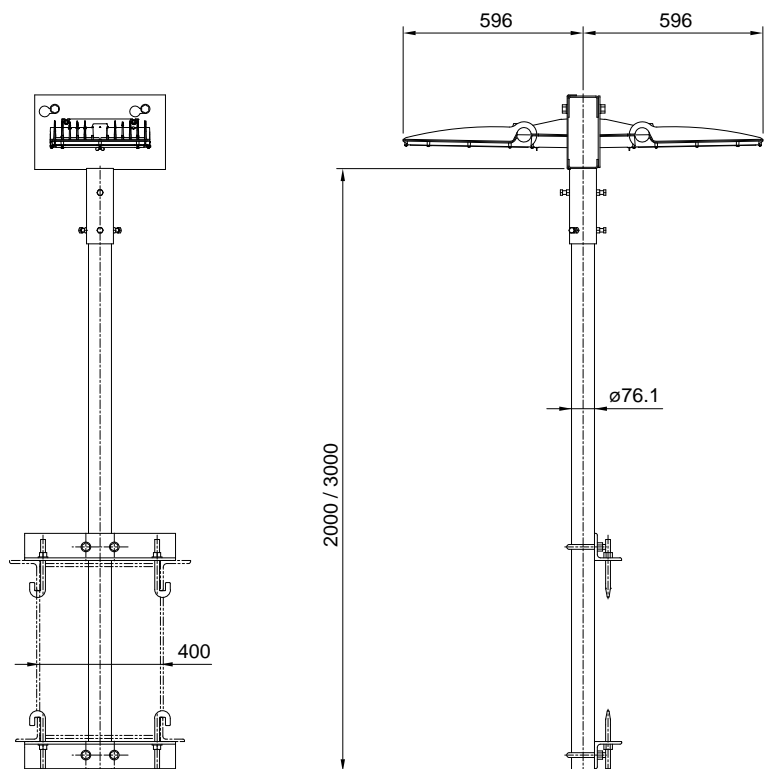
Supplied complete with angles and hook bolts.

Drawing number

887.00210, .00210-1

Ordering information

Length 2000 mm

6824.20 LED lamp double on gantry
J60 - J130, Spread 400

Pole range

Section HEB 160 - 260

Material

Clamp body Aluminium

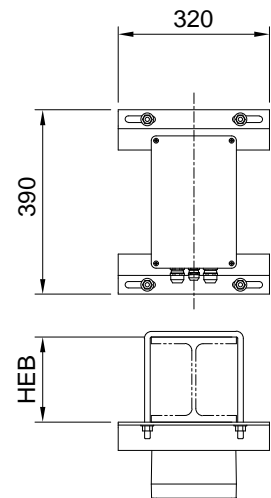
Drawing number

887.00064-1

Ordering information

on HEB 180

6841.1.18 Fuse box LED

**Clamp M6 for 1 cable tube on mast**

6851

Type	D (mm)	Mast range
32	32	160, 180, 200, 220, 240, 260
40	40	160, 180, 200, 220, 240, 260
50	50	160, 180, 200, 220, 240, 260

Note

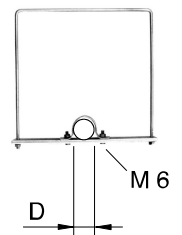
Cable tubes 6861 onw

Drawing number

887.00001, .00072

Ordering informationfor tube \varnothing 32 mm, on HEB 220

6851.32.22 Clamp M6 for 1 cable tube on mast

**Clamp M6 for 2 cable tubes on mast**

6852

Type	D (mm)	Mast range
32	32	160, 180, 200, 220, 240, 260
40	40	160, 180, 200, 220, 240, 260
50	50	180, 200, 220, 240, 260

Note

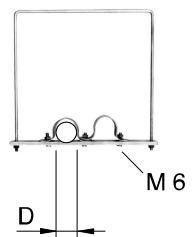
Cable tubes 6861 onw

Drawing number

887.00005, .00071

Ordering informationfor tube \varnothing 32 mm, on HEB 240

6852.32.24 Clamp M6 for 2 cable tubes on mast



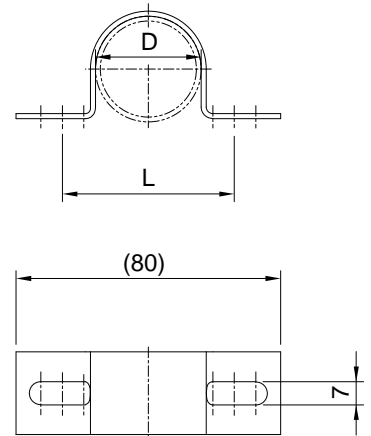
Type	D (mm)	L (mm)
32	32	60
40	40	60
50	50	70

Drawing number

523.00205, .00206, .00216

Ordering informationfor tube \varnothing 32 mm

6853.32 Clamp for cable tubes



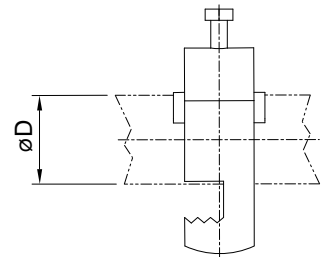
Type	D (mm)
32	32
40	40
50	50

Drawing number

924.00057 - .00059

Ordering informationfor cable \varnothing 32 mm

6854.32 Clamp KSV for cable tubes

**Material**

Synthetic

NoteCable \varnothing 5-15 mm**Ordering information**

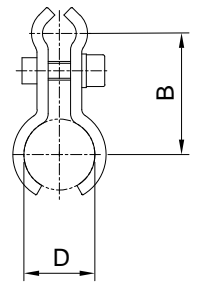
6855 Cable clamp



Type	D (ømm)	B (mm)
01	14 - 19	32.5
02	18 - 23	30

Drawing number
465.00116, .00119

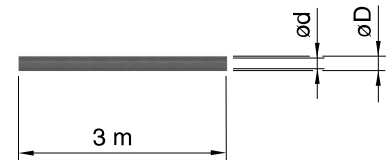
Ordering information
Cable clamp for cable ø15
6856.01 Cable clamp on steel/copper
cable 35-50 mm²



Material

PVC hard, grey

Type	D (mm)	d (mm)
32	32	28.8
40	40	36.8
50	50	49.8

**Note**

Other sizes available on request.
Connecting sleeve 6871

Ordering information

Tube ø 32 mm

6861.32 Plastic cable tube, hard

Material

Polyethylene, grey

Type	D (mm)	d (mm)
32	32	28.8
40	40	36.8
50	50	46.8

**Note**

Other sizes available on request.
In coils of 25 m and 50 m.
End cap 6873

Ordering information

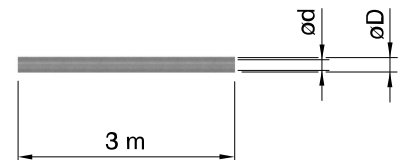
Tube ø 32 mm, coils of 25 m

6862.32.25 Flexible cable tube

Material

Al

Type	D (mm)	d (mm)
32	32	28.8
40	40	36.8
50	50	46.8

**Note**

Other sizes available on request.
Plug-in sleeve 6872

Drawing number

887.00113

Ordering information

Tube ø 40 mm

6863.40 Al cable tube

Connecting sleeve

6871

Material
PVC hard

Type	for tube (ømm)
32	32
40	40
50	50

Ordering information
on tube ø 32 mm
6871.32 *Connecting sleeve*

Plug-in sleeve

6872

Material
Al

Type	for tube (ømm)
32	32
40	40
50	50

Drawing number
887.00112

Ordering information
on tube ø 32 mm
6872.32 *Plug-in sleeve*

End plug

6873

Material
Polyethylene

Type	for tube (ømm)
32	32
40	40
50	50

Ordering information
on tube ø 32 mm
6873.32 *End plug*



Edge protector

6874

Material
Synthetic

Type	for tube (ømm)
32	32
40	40
50	50

Ordering information
on tube ø 40 mm
6874.40 *Edge protector*

