

Solid core insulator 15 kV, 7 sheds

5112

Material
Porcelain

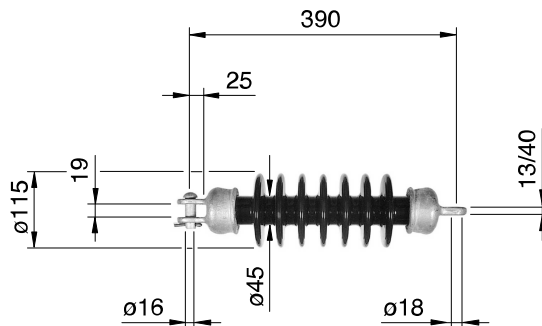
Note
Wedge insert 5518

Tensile force
 F_{min} (kN) = 56

Weight
Wt (kg) = 5,4

Drawing number
424.00027

Ordering information
5112 Solid core insulator 15 kV, 7 sheds



Solid core insulator 15 kV, 7 sheds

5113

Material
Porcelain

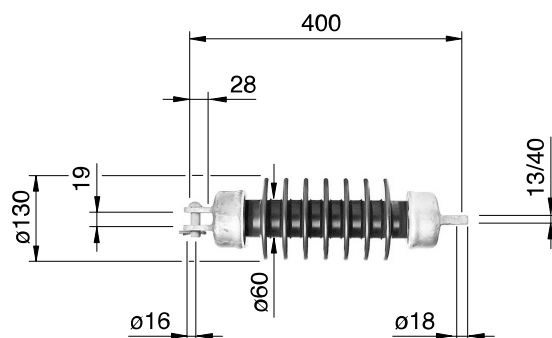
Note
Wedge insert 5518

Tensile force
 F_{min} (kN) = 90

Weight
Wt (kg) = 7,8

Drawing number
424.00048

Ordering information
5113 Solid core insulator 15 kV, 7 sheds



Solid core insulator 15 kV, 6 sheds

5118

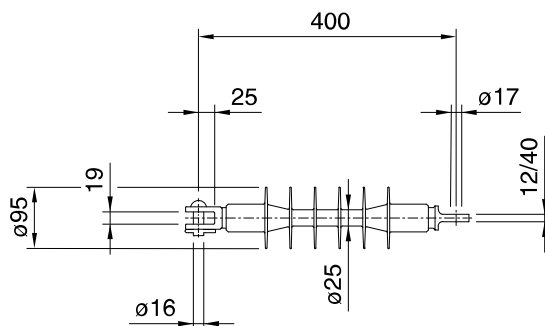
Material
Synthetic

Tensile force
 F_{min} (kN) = 42

Weight
Wt (kg) = 1,7

Drawing number
424.00130

Ordering information
5118 Solid core insulator 15 kV, 6 sheds



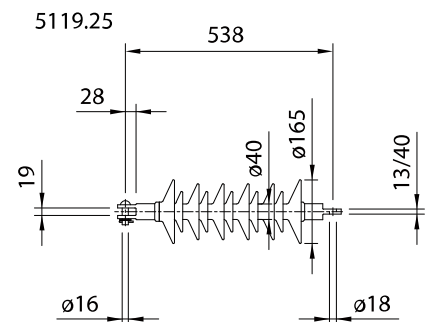
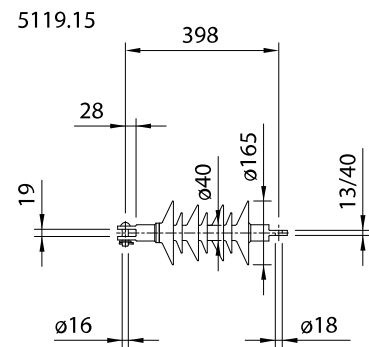
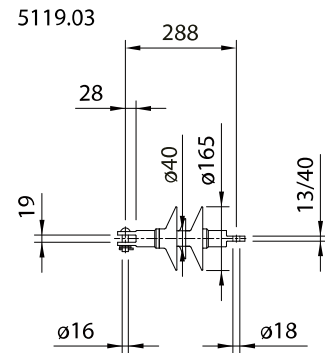
Material
Synthetic

Type	kV	Wt (kg)	Sheds
03	3	2.6	3
15	15	2.5	7
25	25	3.6	11

Tensile force
 F_{\min} (kN) = 90

Drawing number
424.00092, .00149, .00182

Ordering information
15 kV, 7 sheds
5119.15 Composite insulator



Solid core insulator 3 kV, 2 sheds

5122

Material

Porcelain

Note

Wedge insert 5518

Tensile force

F_{min} (kN) = 60

Weight

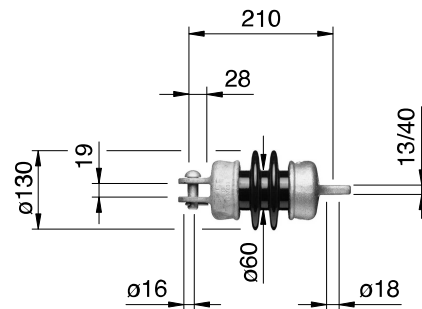
Wt (kg) = 4,3

Drawing number

424.00053

Ordering information

5122 Solid core insulator 3 kV, 2 sheds



Composite insulator 3 kV, 3 sheds

5127

Material

Synthetic

Tensile force

F_{min} (kN) = 70

Weight

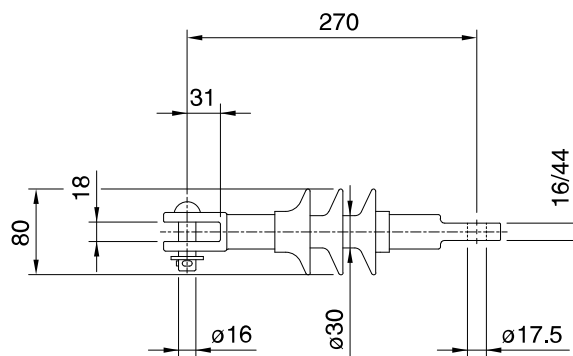
Wt (kg) = 1,5

Drawing number

424.00188

Ordering information

5127 Composite insulator 3 kV, 3 sheds



Composite insulator 3 kV, 4 sheds

5128

Material

Synthetic

Tensile force

F_{min} (kN) = 70

Weight

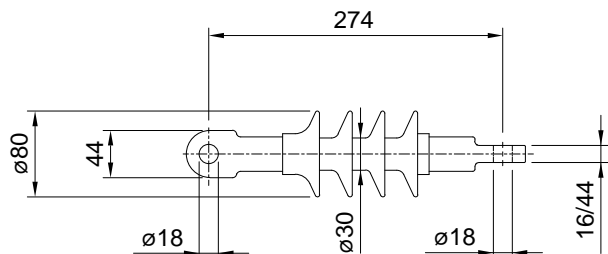
Wt (kg) = 1,25

Drawing number

424.00189

Ordering information

5128 Composite insulator 3 kV, 4 sheds



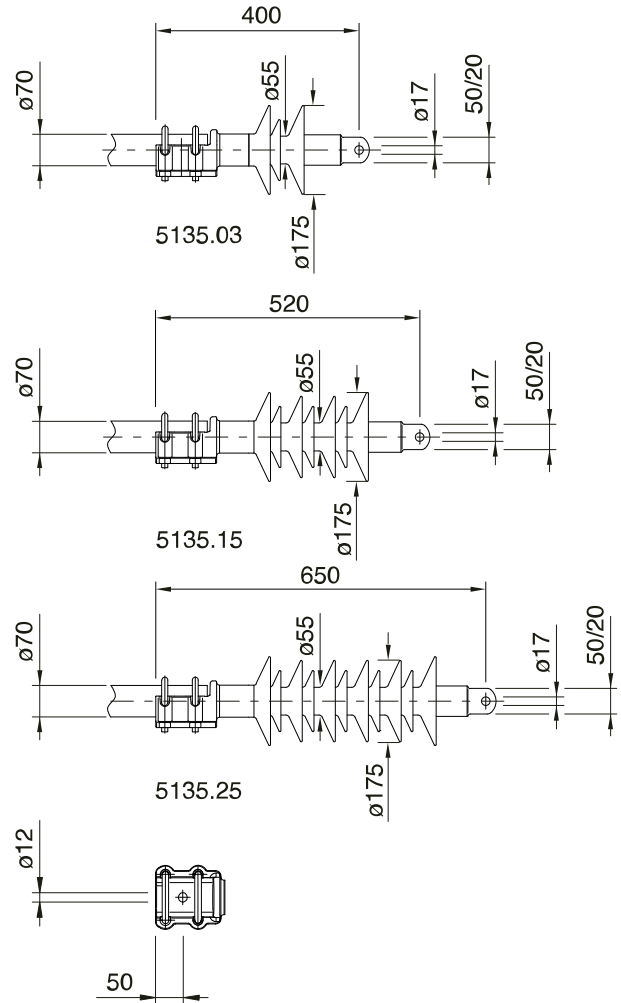
Material
Synthetic

Type	kV	Wt (kg)	Sheds
03	3	3.8	3
15	15	4.9	7
25	25	6.0	11

Tensile force
 F_{\min} (kN) = 50

Drawing number
424.00052, .00147, .00155

Ordering information
15 kV, 7 sheds
5135.15 Composite insulator
with tube connection \varnothing 70 mm



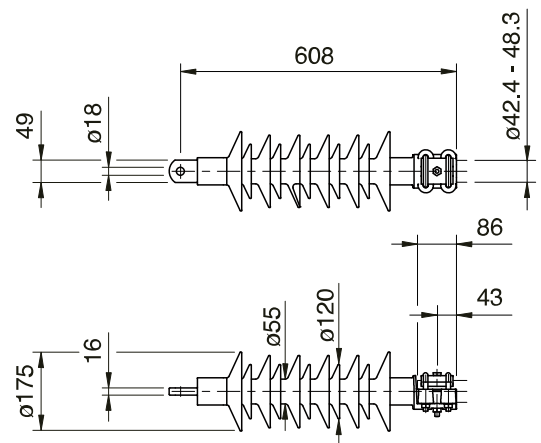
Material
Synthetic

Tensile force
 F_{\min} (kN) = 90

Weight
Wt (kg) = 7,05

Drawing number
424.00156

Ordering information
5138 Composite insulator 25 kV small
with tube connection, 11 sheds



Material

Synthetic

Tensile force F_{\min} (kN) = 60**Weight**

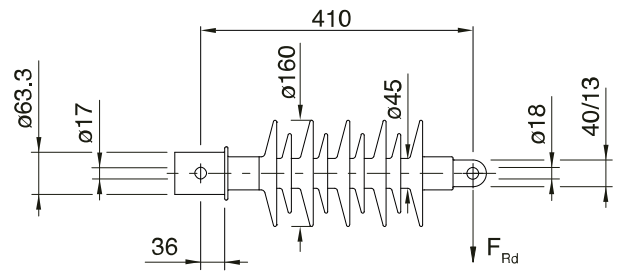
Wt (kg) = 3,4

Drawing number

424.00168

Ordering information

5139 Composite insulator 15 kV
with tube connection, 9 sheds



Material

Synthetic

Note

Hinged cable clamp 5351

Associated parts

Support for post insulator 3228

Tensile force F_{\min} (kN) = 10**Weight**

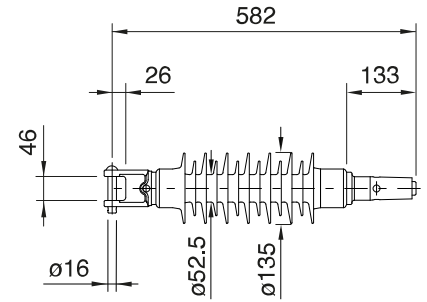
Wt (kg) = 6,6

Drawing number

424.00193

Ordering information

5151 Silcosil Post insulator 25 kV

**Material**

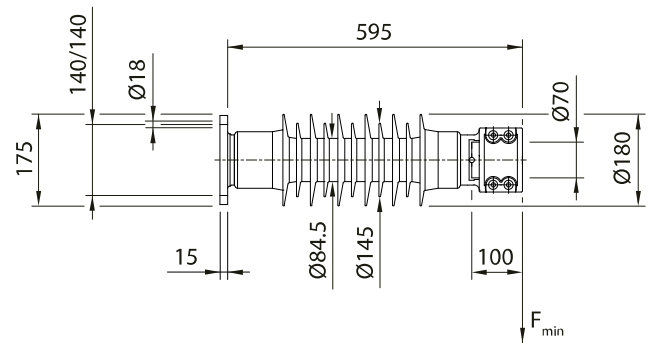
Synthetic

Tensile force F_{\min} (kN) = 10**Weight**

Wt (kg) = 15

Drawing number

424.00035

Ordering information5153 Composite post insulator 25 kV,
with tube end cap**Material**

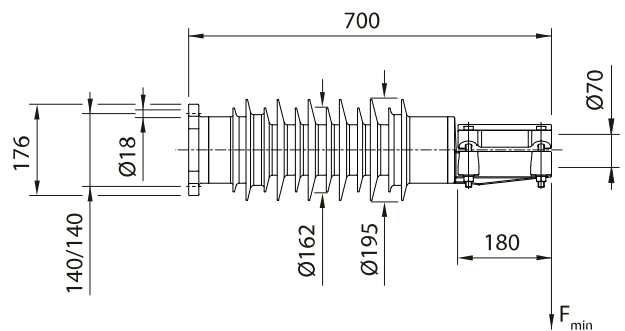
Synthetic

FastenersSupplied complete with spring washer M 12,
hexagonal nut and bolt M 12, half collar,
rod \varnothing 88, connection tube end fitting
and flange end fitting.**Tensile force** F_{\min} (kN) = 21**Weight**

G (kg) = 25,6

Drawing number

424.00164

Ordering information5153.1 Composite post insulator,
strong, 25 kV, for tube fitting

Material

Epoxy resin

NoteRetaining clamp 3424
Busbar support clamp 7662**Weight**

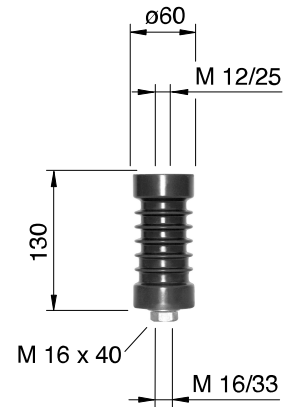
Wt (kg) = 0,6

Drawing number

424.00030-1

Ordering information

5154 Post insulator 1,5 kV

**Material**

Synthetic

Tensile force $F_{\min \text{ am Fuss}} \text{ (kN)} = 15$ **Weight**

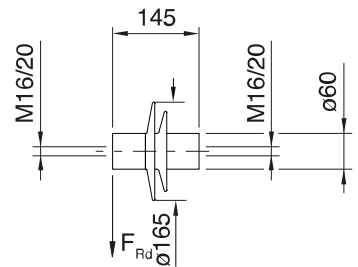
Wt (kg) = 2,25

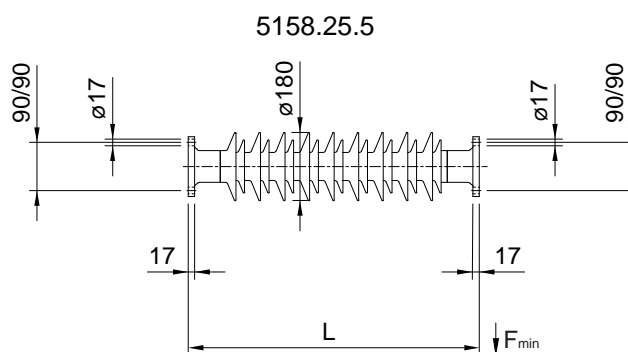
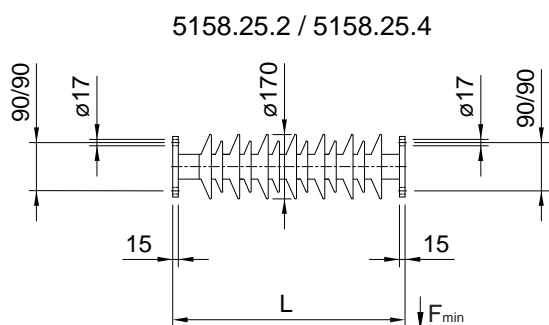
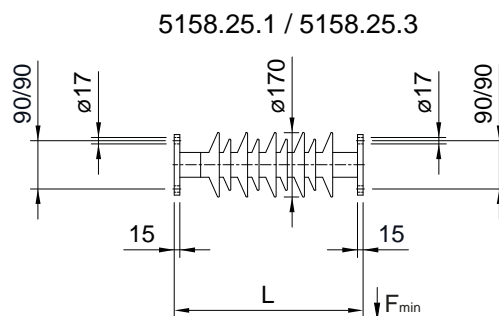
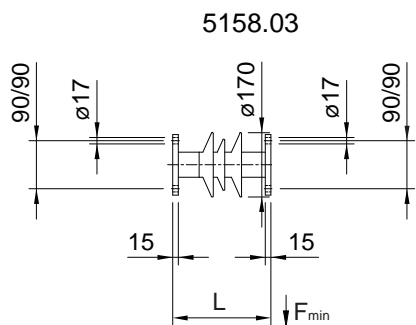
Drawing number

424.00184

Ordering information

5156.1 Composite post Insulator 1,5 kV, 2 sheds





Material
Synthetic

Type	kV	L (mm)	G (kg)	Sheets	F _{min} (kN)	Fittings	creep dist. (mm)	arcing distance (mm)
03	3	260	7.4	3	35.0	FVZ	370	185
25.1	25	500	9.6	9	15.0	FVZ	1092	419
25.2	25	615	11.1	13	13.5	FVZ	1550	560
25.3	25	500	9.6	9	15.0	A4	1092	419
25.4	25	615	11.1	13	13.5	A4	1550	560
25.5	25	770	15.8	18	14.3	FVZ	2000	645

Tensile force
F_{T min} (kN) = 100

Drawing number
424.00054, .00151, .00176, .00197, .00198, .00224

Ordering information
25 kV
5158.25.1 Composite insulator with flanged joints

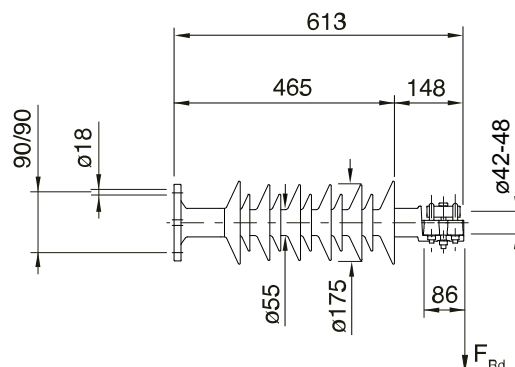
Material
Synthetic

Tensile force
F_{min} (kN) = 10

Weight
Wt (kg) = 11,2

Drawing number
424.00157

Ordering information
5159 Composite post insulator 25 kV small



Pin insulator "RM"

5164

Material

Porcelain

Note

Insulator pin 5213 onw

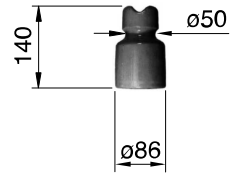
Weight

Wt (kg) = 1,0

Ordering information

Colour brown

5164.1 Pin insulator "RM"



Insulator 750 V for line hangers

5173

Material

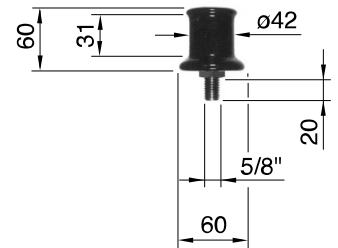
Porcelain

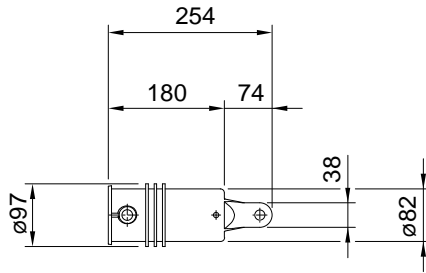
Drawing number

425.00015

Ordering information

5173 Insulator 750 V for line hangers





Material
Synthetic

Note
for Cantilever tube 2185

Tensile force
 F_{Rd} (kN) = 6.5

Weight
G (kg) = 0.53

Drawing number
424.00143-3

Ordering information
5175 Tube cap insulator

Material

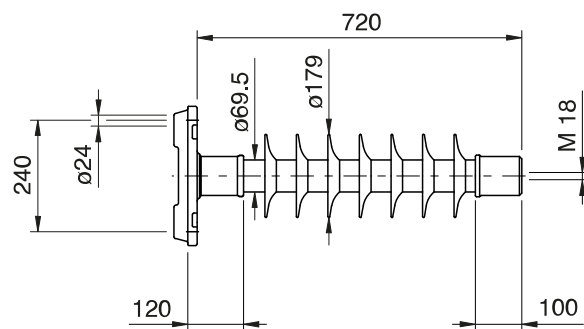
Porcelain

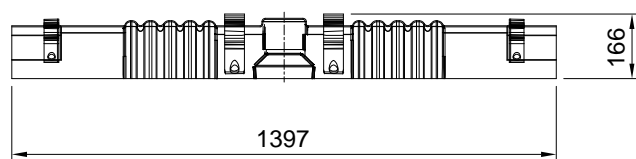
Tensile force F_{\min} (kN) = 25**Weight**

Wt (kg) = 31,5

Ordering information

5181 Post insulator 72,5 kV





Material
Synthetic

Type	Description
1	For Post insulator 5151

Note
Length L = 1.38 m
Type for bell-/round-head insulator
request separately

Ordering information
5192.1 Protective cover for bird protection
with Post insulator

Pin for insulator light, short

5213

Type	L1 (mm)	L (mm)
055	055	235
140	140	320

Note

Insulator "RM" 5164

Type 055 is delivered with one nut.

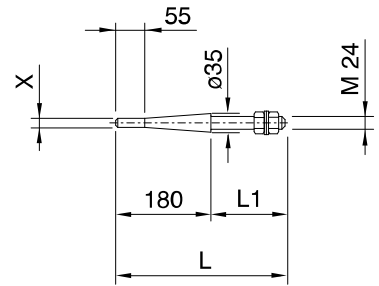
Drawing number

411.00029, .00030

Ordering information

Length 140 mm

5213.140 Pin for insulator light, short



Pin for insulator, short

5214

Note

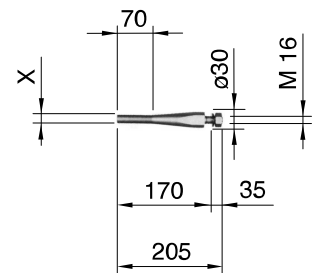
Pin insulator "RM" 5164

Drawing number

411.00036

Ordering information

5214 Pin for insulator, short

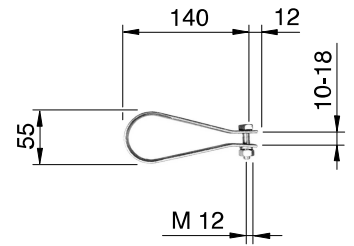


Loop for grooved insulator

5251

Drawing number
442.00031

Ordering information
5251 Loop for grooved insulator

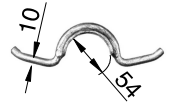


Fastening clip for grooved insulator

5252

Drawing number
414.00021

Ordering information
5252 Fastening clip for grooved insulator



Material

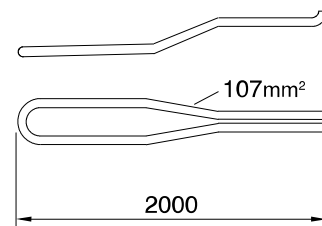
EiCu

NoteAnchor point clamp
for 3 contact wires 4247**Drawing number**

582.00031

Ordering information

5261 Overrun protection skid



Typ	Use (kV)	H (mm)
015	1.5	190
150	15.0	320

Note

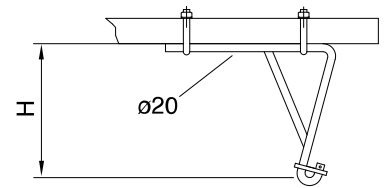
Cantilever 2112
Two pin link 3311
Supplied complete with U-bolts.

Drawing number

353.00235

Ordering information

for 1,5 kV
5314.015 Suspension bracket
from cantilever (type II)



Type	L (mm)	H (mm)
10	100	208
20	200	308
30	300	408

Note

For Cantilever 2111 / 2113.1

Associated parts

Solid core insulator 5112 onw

Resistance

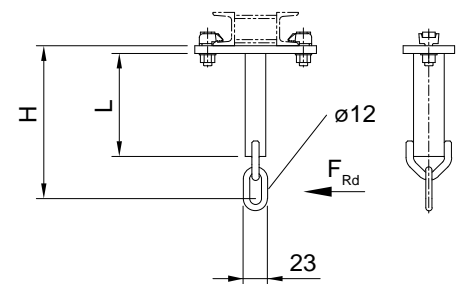
F_{Rd} (kN) = 3.25

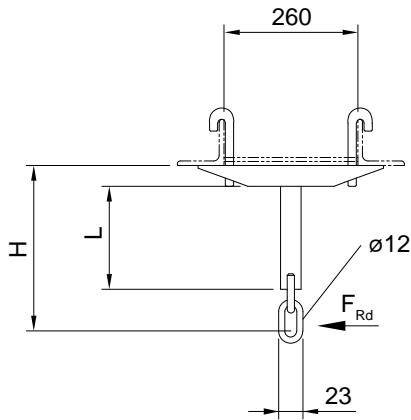
Drawing number

433.00168-4

Ordering information

Length 100 mm
5314.1.10 Suspension bracket for hanging
insulation from cantilever I and III





Type	L (mm)	H (mm)
10	100	233
20	200	333
30	300	433

Note
for Gantry beam 2221

Associated parts
Solid core insulator 5112 onw

Resistance
 F_{Rd} (kN) = 3.25

Drawing number
433.00168-8

Ordering information
Length 100 mm
5314.2.10 Suspension bracket from hanging insulation
from Gantry beam J60 - J90, Spread 260

Type	L (mm)	H (mm)
10	100	233
20	200	333
30	300	433

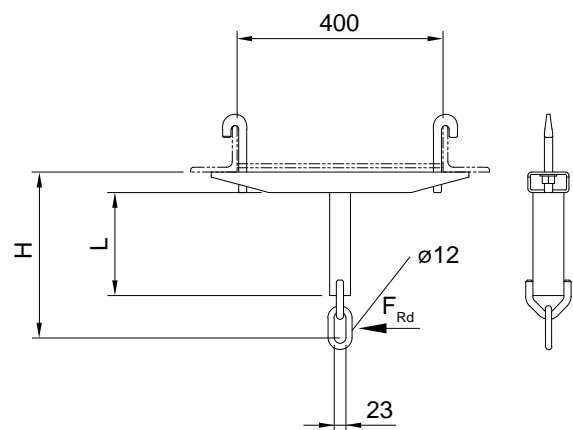
Note
for Gantry beam 2221

Associated parts
Solid core insulator 5112 onw

Resistance
 F_{Rd} (kN) = 3.25

Drawing number
433.00168-7

Ordering information
Length 100 mm
5314.3.10 Suspension bracket from hanging insulation
from Gantry beam J60-J130, Spread 400

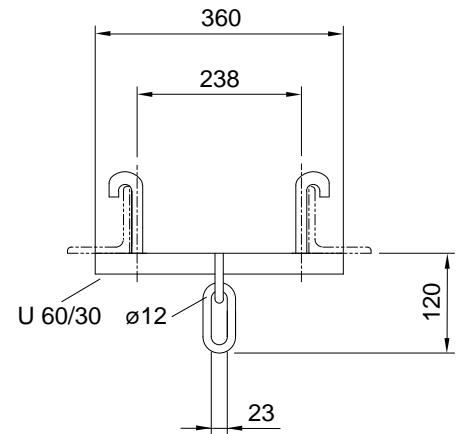


Note

Gantry beam 2221 onw

Drawing number

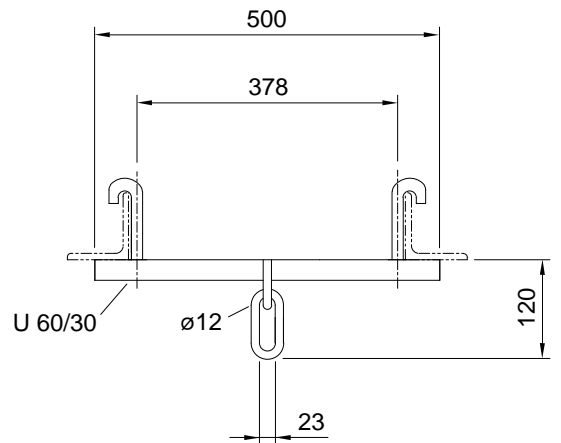
433.00006

Ordering information*5315 Cross arm for suspension
from gantry J60 - J90***Note**

Gantry beam 2221 onw

Drawing number

433.00021

Ordering information*5316 Cross arm for suspension
from gantry J100 - J130*

Note

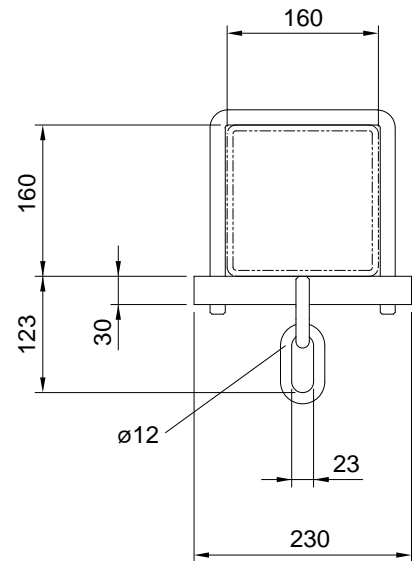
Cantilever 160 x 160 2113.3
Supplied complete with U-bolts.

Drawing number

433.00297

Ordering information

5317 Cross arm for suspension
from Cantilever 160 x 160



Rotatable messenger wire support on tube \varnothing 70 mm in sectioning

5322

Material

Fe stainless

Type	H (mm)	Description
40.1	400	without hinged rope clamp 5351
50.1	500	without hinged rope clamp 5351
40.2	400	with hinged rope clamp 5351
50.2	500	with hinged rope clamp 5351

Fasteners

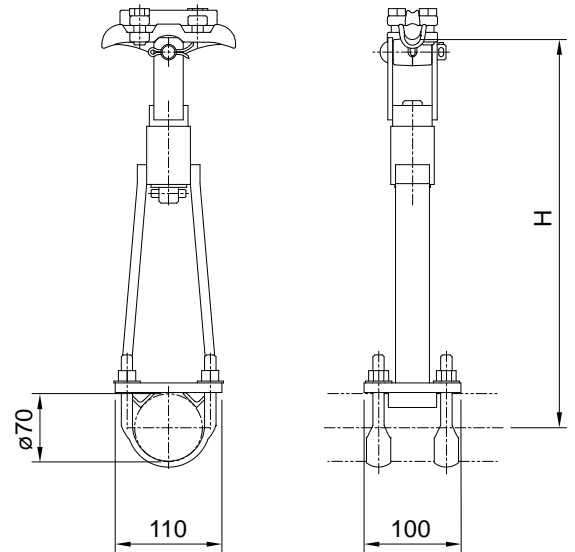
Supplied complete with U-bolts.

Drawing number

431.00014

Ordering information

H = 400 mm,
without hinged rope clamp
5322.40.1 Rotatable messenger wire
support on tube \varnothing 70 mm in sectioning



Rotatable messenger wire support on tube \varnothing 70 mm

5323

Material

Fe stainless.

Type	Fitting
1.2	on upper side of tube
2.2	on lower side of tube

Note

Supplied with hinged rope clamp 5351

Fasteners

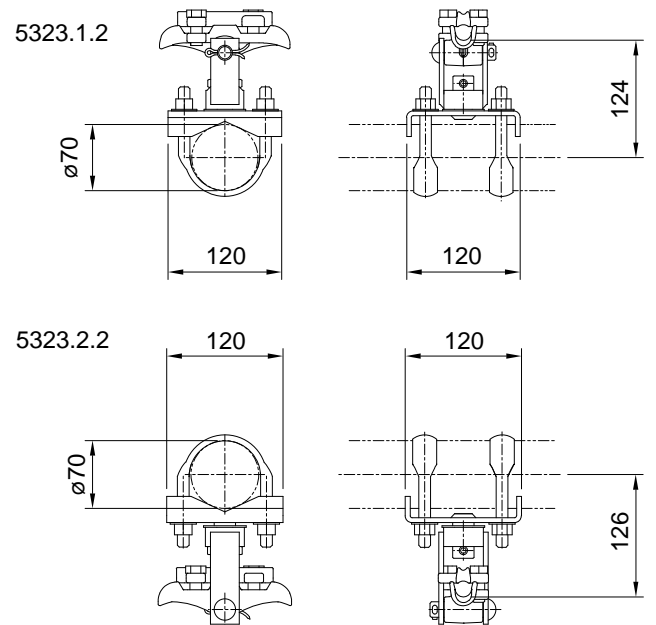
Supplied complete with U-bolts.

Drawing number

431.00025-11, .00025-12

Ordering information

fitted on lower side of tube,
with hinged rope clamp
5323.2.2 Rotatable messenger wire
support on tube \varnothing 70 mm



Cable clamp for SIC

5325

Note

Supplied with hinged rope clamp 5351

Fasteners

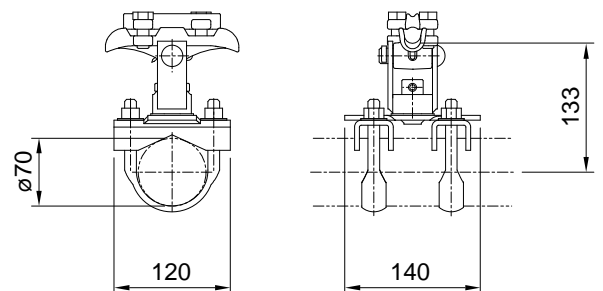
Supplied complete with attachment brackets.

Drawing number

431.00025-3

Ordering information

5325 Cable clamp for SIC



Note

Supplied with hinged rope clamp 5351

Fasteners

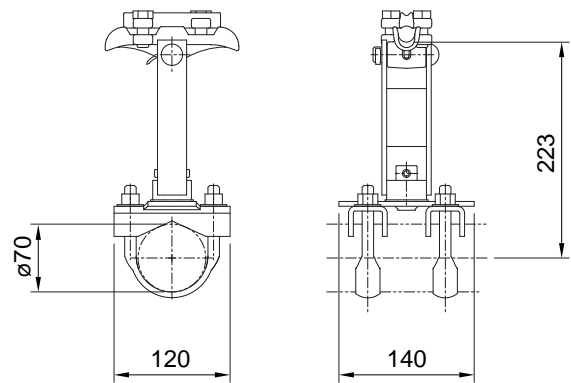
Supplied complete with attachment brackets.

Drawing number

431.00025-4

Ordering information

5326 Cable clamp for SIC, increased



Clevis and yoke for 2 suspension clamps

5331

Associated parts

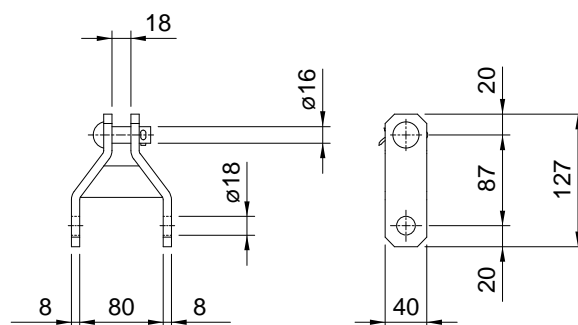
Suspension clamp 5341 , 5342

Drawing number

433.00028

Ordering information

5331 Clevis and yoke for 2 suspension clamps



Clevis and yoke for 3 suspension clamps

5332

Associated parts

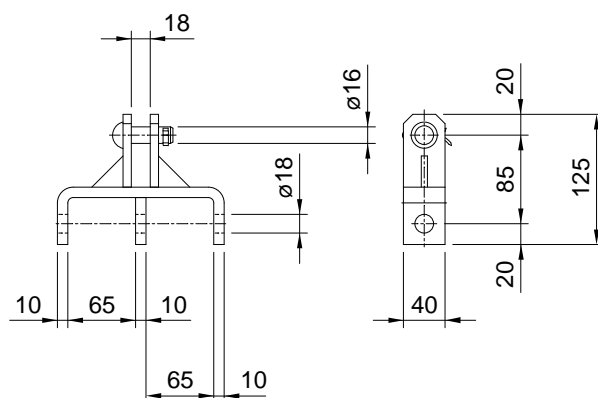
Suspension clamps 5341 , 5342

Drawing number

433.00004

Ordering information

5332 Clevis and yoke for 3 suspension clamps



Clevis suspension

5333

Associated parts

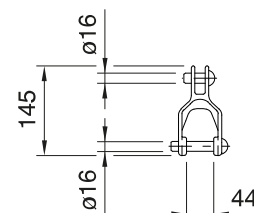
Suspension clamp 5352
Hinged rope clamp 5351

Drawing number

433.00267

Ordering information

5333 Clevis suspension



Drop tube complete

5334

Note

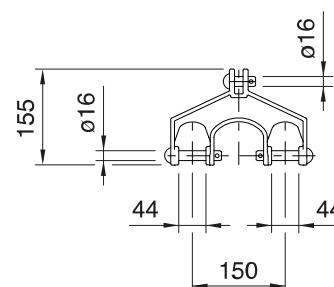
for fitting of the suspension clamp 5352

Drawing number

433.00268

Ordering information

5334 Drop tube complete



Suspension clamp small

5341

Note

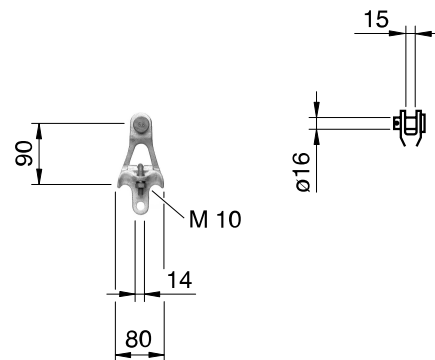
Clamp range Cu 35-80 mm²

Drawing number

431.00001

Ordering information

5341 Suspension clamp small



Suspension clamp large

5342

Note

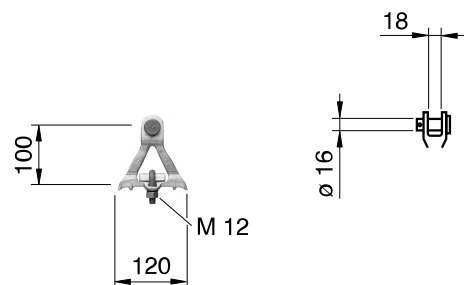
Clamp range Cu 95-150 mm²

Drawing number

431.00006

Ordering information

5342 Suspension clamp large



Clamp cover

5344

Note

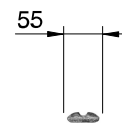
Clamp range 95-150 mm²

Drawing number

431.00074

Ordering information

5344 Clamp cover



Hinged rope clamp for 28-150 mm²

5351

Material

AlCuSn

Type Description

1	short clamp cover, rope above
2	long clamp cover, rope below

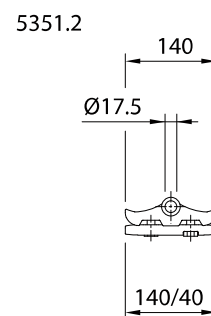
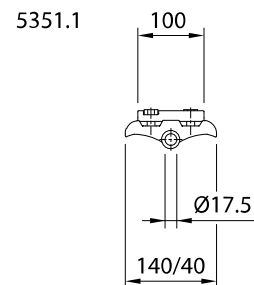
Drawing number

431.00117, .00117-1

Ordering information

long clamp cover, rope below

5351.2 Hinged rope clamp for 28-150 mm²



Suspension clamp for Aldrey 200-300 mm²

5352

Material

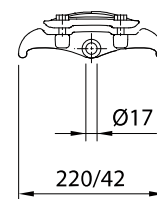
AlMgSi

Drawing number

431.00269

Ordering information

5352 Suspension clamp for Aldrey 200-300 mm²



Feeder suspension clamp

5353

Note

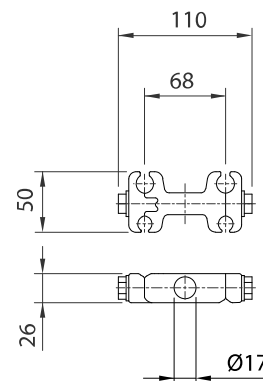
for contact wire 107 mm² and 120 mm²
for cable 95 mm² and 150 mm²

Drawing number

451.00358-1

Ordering information

5353 Feeder suspension clamp



Mast bracket for steady arm

5411

Mast range

profiles HEB 100-140 L = 200 mm
 HEB 160-200 L = 260 mm
 HEB 220-260 L = 320 mm

Note

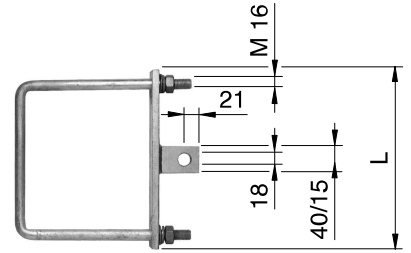
For insulators with 19 mm clevis width.
 When insulator subject to compression:
 Wedge insert 5518
 Supplie complete with U-bolts.

Drawing number

412.00073

Ordering information

on HEB 240
 5411.24 Mast bracket for steady arm



Bracket for steady arm from cantilever

5413

Type	Section	A	B	C
	(mm)	(mm)	(mm)	(mm)
60	60	74	95	90
65	65	104	100	120
80	80	84	80	100

Note

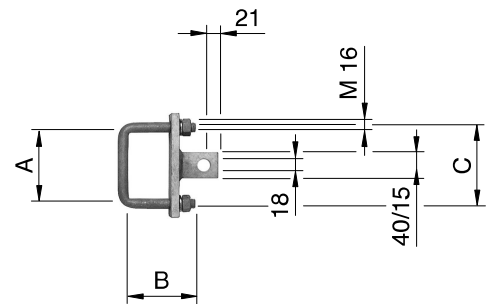
For insulators with 19 mm clevis width.
 When insulator subject to compression:
 Wedge insert 5518
 Supplied complete with U-bolts.

Drawing number

412.00062

Ordering information

on profile 65 mm
 5413.65 Bracket for steady arm from cantilever



Mast bracket for steady arm with opening

5415

Type	HEB	L
	(mm)	(mm)
18	180	250
20	200	270
22	220	290
24	240	310
26	260	330

Note

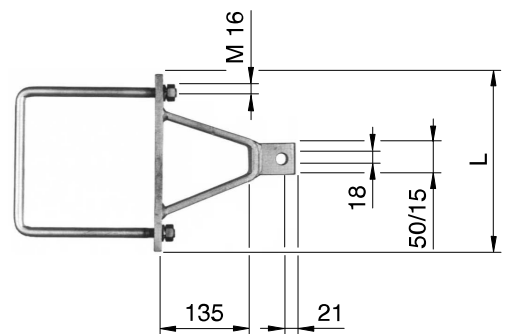
For insulators with 19 mm clevis width.
 When insulator subject to compression:
 Wedge insert 5518
 Supplied complete with U-bolts.

Drawing number

412.00025

Ordering information

on HEB 240
 5415.24 Mast bracket for steady arm with opening



Mast range

Profiles HEB 100 - 140L = 200 mm

HEB 160 - 200L = 260 mm

HEB 220 - 260L = 320 mm

Note

For insulators with 19 mm clevis width.

When insulator subject to compression:

Wedge insert 5518

Supplied complete with U-bolts.

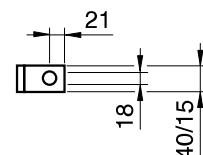
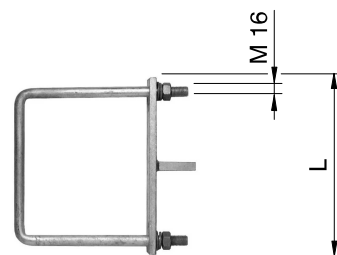
Drawing number

412.00243

Ordering information

on HEB 240

5417.24 Mast bracket for connection wire



Type	Section (mm)	A (mm)	B (mm)	C (mm)
60	60	74	95	90
65	65	104	100	120
80	80	84	80	100

Note

For insulators with 19 mm clevis width.

When insulator subject to compression:

Wedge insert 5518

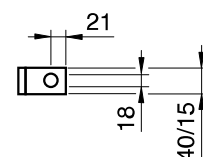
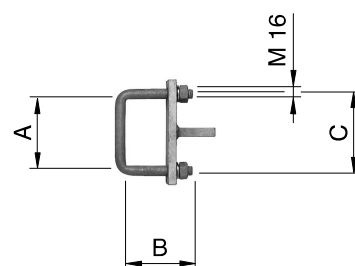
Supplied complete with U-bolts.

Drawing number

412.00244

Ordering information

on profile 65 mm

5418.65 Bracket for connection wire
from cantilever

Type	Mast range (mm)	B (mm)	C (mm)
15	150 - 200	125	224
19	190 - 240	135	264
23	230 - 260	145	284

Note

For insulators with 19 mm clevis width.
When insulator subject to compression:
Wedge insert 5518

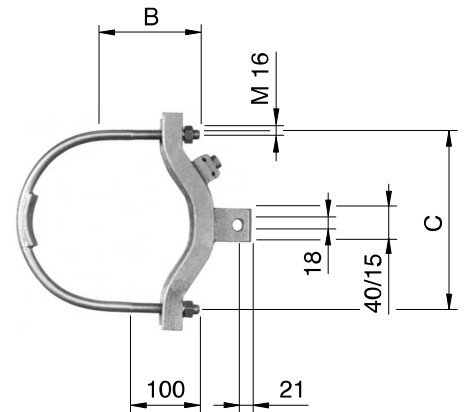
Drawing number

412.00004

Ordering information

on wooden mast \varnothing 200 mm

5421.19 Mast bracket for steady arm
(wooden mast)



Mast range

HEB profiles 160 / 180-240 / 260

Type	L (mm)
05	500
10	1000
15	1500
20	2000

Note

For insulators with 19 mm clevis width.
When insulator subject to compression:
Wedge insert 5518

Fasteners

Supplied complete with U-bolt.

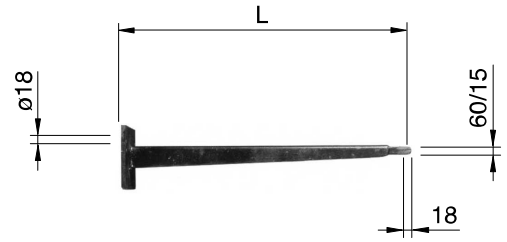
Drawing number

412.00140, .00320 - .00330

Ordering information

Length 1000 mm, on HEB 220

5431.10.22 Stand-off bracket for steady arm



Spreader for steady arm in sectioning, single, long

5441

Mast range

HEB profiles 100 / 120 / 140 / 160-240 / 260

Note

For insulators with 19 mm clevis width.
When insulator subject to compression:
Wedge insert 5518

Fasteners

Supplied complete with U-bolt.

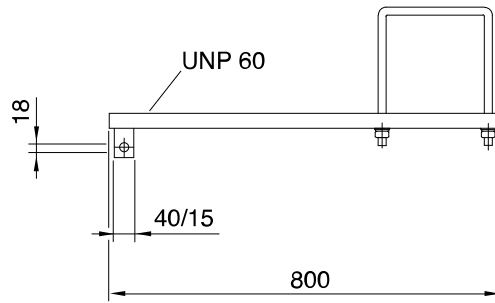
Drawing number

534.00011, .00044

Ordering information

on HEB 220

5441.22 Spreader for steady arm
in sectioning, single, long



Spreader for steady arm in sectioning, single

5442

Mast range

HEB profiles 100 / 120 / 140 / 160-240 / 260

Note

For insulators with 19 mm clevis width.
When insulator subject to compression:
Wedge insert 5518

Fasteners

Supplied complete with U-bolt.

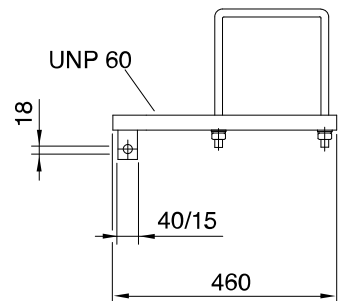
Drawing number

534.00018, .00046

Ordering information

on HEB 200

5442.20 Spreader for steady arm
in sectioning, single



Spreader for steady arm in sectioning, double

5443

Mast range

HEB profiles 100-140 / 160-240 / 260

Note

For insulators with 19 mm clevis width.
When insulator subject to compression:
Wedge insert 5518

Fasteners

Supplied complete with U-bolt.

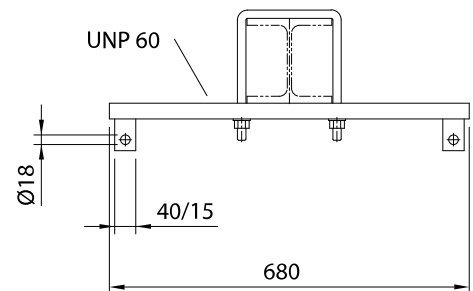
Drawing number

534.00012, .00047, .00054

Ordering information

on HEB 240

5443.24 Spreader for steady arm
in sectioning, double



Mast range

HEB profiles 160 / 180-260

Type	L (mm)
05	500
10	1000

Note

For insulators with 19 mm clevis width.
When insulator subject to compression:
Wedge insert 5518

Fasteners

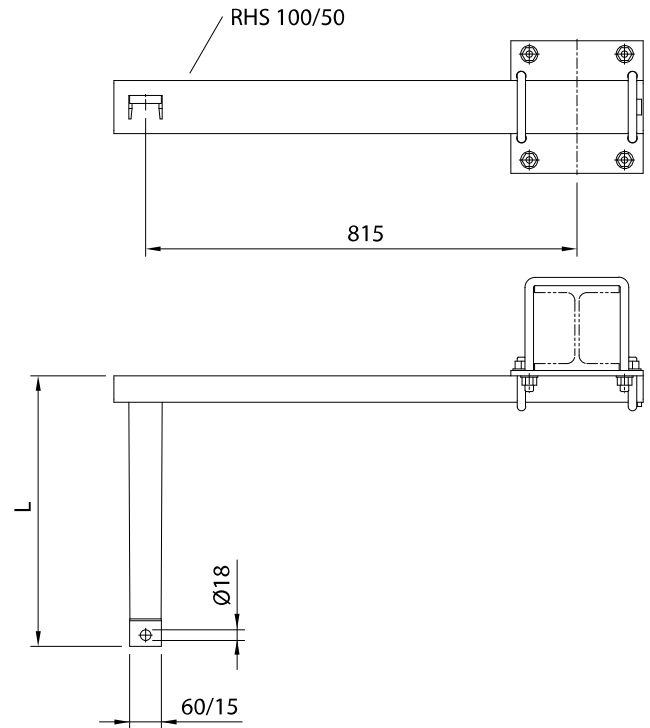
Supplied complete with U-bolts.

Drawing number

412.00336, .00338, .00340, .00342

Ordering information

Length 1000 mm, on HEB 220
5444.10.22 Spreader with stand-off
bracket for steady arm, single, left



Mast range

HEB profiles 160 / 180-260

Type	L (mm)
05	500
10	1000

Note

For insulators with 19 mm clevis width.
When insulator subject to compression:
Wedge insert 5518

Fasteners

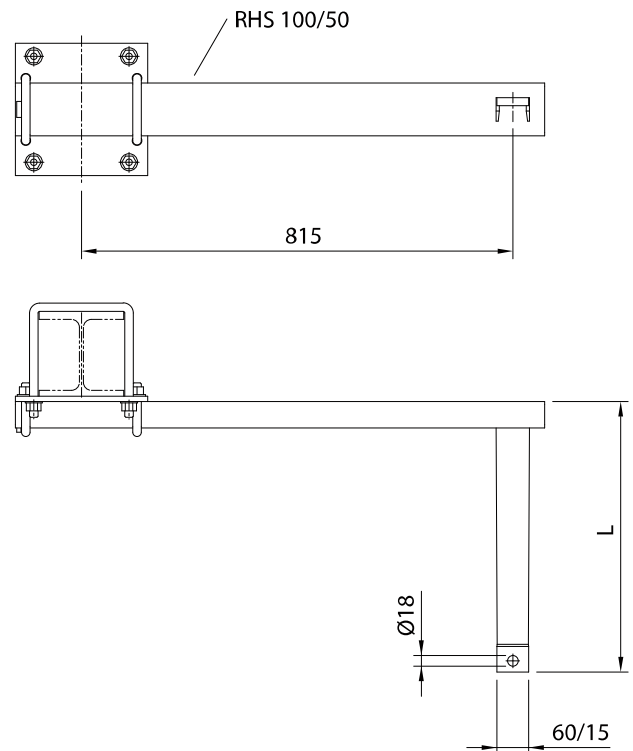
Supplied complete with U-bolts.

Drawing number

412.00337, .00339, .00341, .00343

Ordering information

Length 500 mm, on HEB 200
5445.05.22 Spreader bracket for steady
arm with stand-off, single, right



Spreader with stand-off bracket for steady arm double

5446

Mast range

HEB profiles 160 / 180-260

Type	L (mm)
05	500
10	1000

Note

For insulators with 19 mm clevis width.
When insulator subject to compression:
Wedge insert 5518

Fasteners

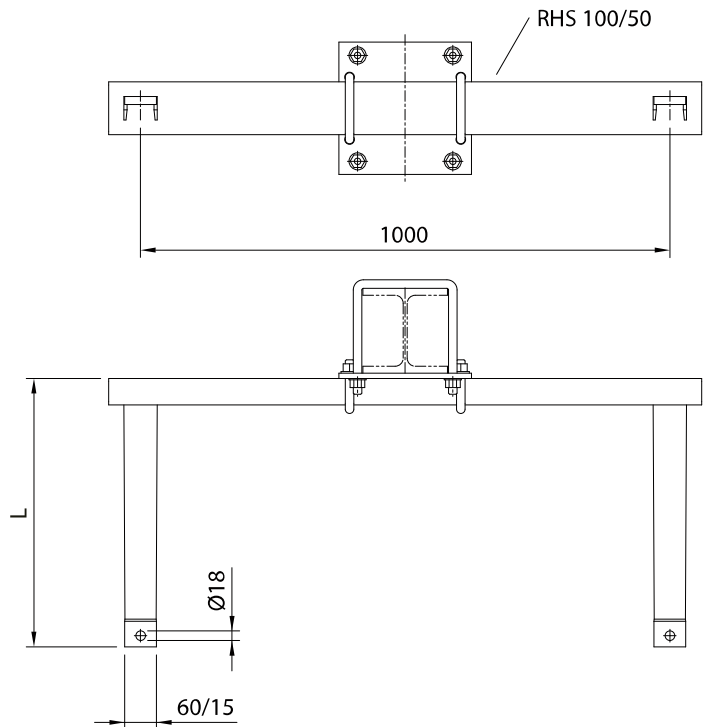
Supplied complete with U-bolts.

Drawing number

412.00350 - .00353

Ordering information

Length 1000 mm, on HEB 240
*5446.10.24 Spreader with stand-off
bracket for steady arm double*



Spreader with stand-off bracket for steady arm double, offset left

5447

Mast range

HEB profiles 160 / 180-260

Type	L (mm)
05	500
10	1000

Note

For insulators with 19 mm clevis width.
When insulator subject to compression:
Wedge insert 5518

Fasteners

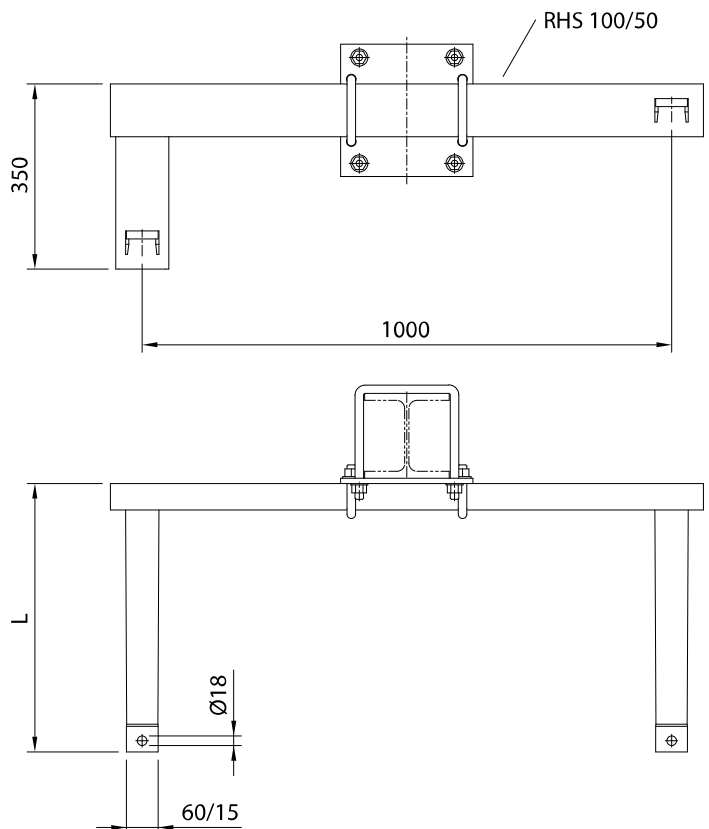
Supplied complete with U-bolts.

Drawing number

412.00356, .00357, .00362, .00363

Ordering information

Length 1000 mm, on HEB 220
*5447.10.22 Spreader with stand-off
bracket for steady arm double, offset left*



Mast range

HEB profiles 160 / 180-260

Type	L (mm)
05	500
10	1000

Note

For insulators with 19 mm clevis width.
When insulator subject to compression:
Wedge insert 5518

Fasteners

Supplied complete with U-bolts.

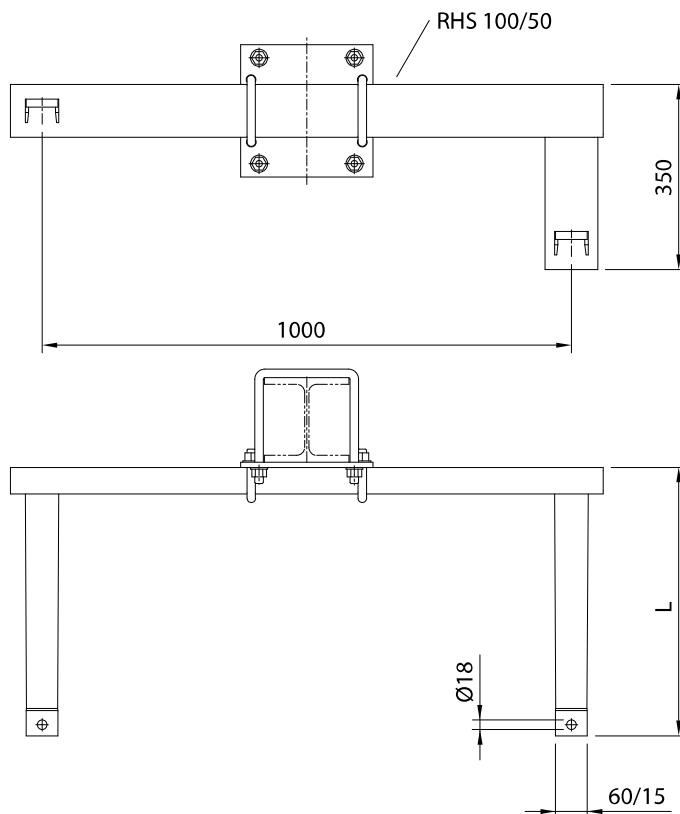
Drawing number

412.00358, .00359, .00364, .00365

Ordering information

Length 1000 mm, on HEB 260

5448.10.26 Spreader with stand-off
bracket for steady arm double, offset
right



Drop bracket for steady arm from $\varnothing 38 + \varnothing 48$ mm tube

5451

Material
G-AlSiMg

Type	H (mm)	D (mm)	Model
1.38	250	38	without slide section
1.48	250	48	without slide section
2.38	130-390	38	with slide section
2.48	130-390	48	with slide section

Associated parts

Steady arm 5541 onw

Fasteners

Supplied complete with U-bolt.

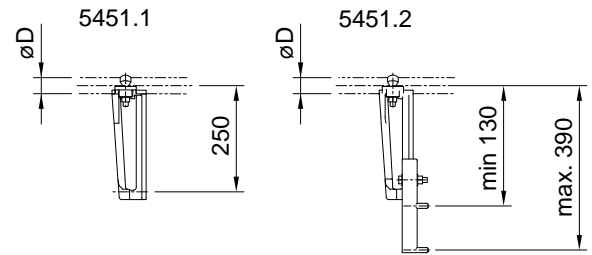
Drawing number

353.00113, .00198, .00199, .00766

Ordering information

with slide section, for tube $\varnothing 38$ mm

*5451.2.38 Drop bracket for steady arm
from $\varnothing 38$ mm tube*



Drop bracket for synthetic steady arm tube

5452

Material
CuAl

Type	D (mm)	H (mm)
38	38	127
55	55	135

Associated parts

Steady arm 5582 onw

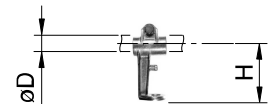
Drawing number

353.00828, .00829

Ordering information

for tube $\varnothing 38$ mm

*5452.38 Drop bracket for synthetic
steady arm tube*



Drop bracket for steady arm to GRP cantilever

5453

Material

Al-cast

Type	D (mm)	H (mm)	Used for
55.1	55	140	for 1 contact wire
55.2	55	150	for 2 contact wires
55.3	55	150	for double steady arm at 1 contact wire
70.1	70	150	for 1 contact wire
70.2	70	160	for 2 contact wires
70.3	70	160	for double steady arm at 1 contact wire

Note

Supplied complete with U-bolts.

Associated parts

Steady arm 5584

Resistance

F_{Rd} (kN) = 2

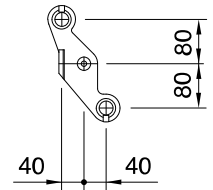
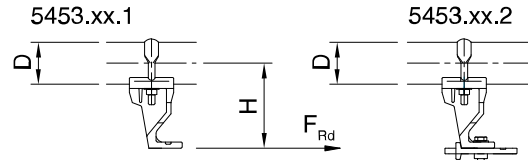
Drawing number

356.00087 - .00089, .00106, .00108, .00112

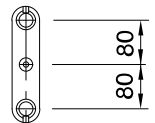
Ordering information

for tube \varnothing 38 mm, for 1 contact wire

5453.38.1 Drop bracket for steady arm to GRP cantilever



5453.xx.3



Drop bracket for steady arm on tube \varnothing 48 mm

5454

Material

Fe-cast galvanized

Note

Supplied complete with U-bolts.

Associated parts

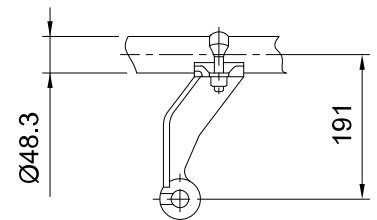
Steady arm 5527

Drawing number

353.00916

Ordering information

5454 Drop bracket for steady arm on tube \varnothing 48 mm



Material

Fe stainless

Type	H (mm)
10	100
15	150
20	200
25	250
30	300
35	350
40	400
45	450
50	500
55	550
60	600

Note

Supplied complete with U-bolts.

Associated parts

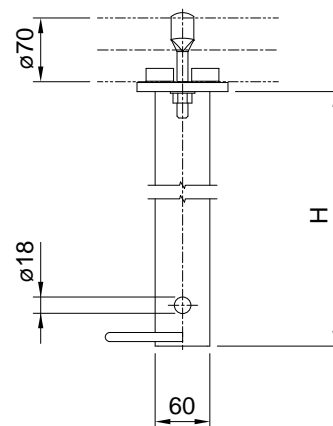
Steady arm 5584

Drawing number

372.00043-3

Ordering information

Height H = 400 mm

*5455.40 Drop bracket for
steady arm on tube \varnothing 70 mm*

Steady arm tube for low support

5461

Material

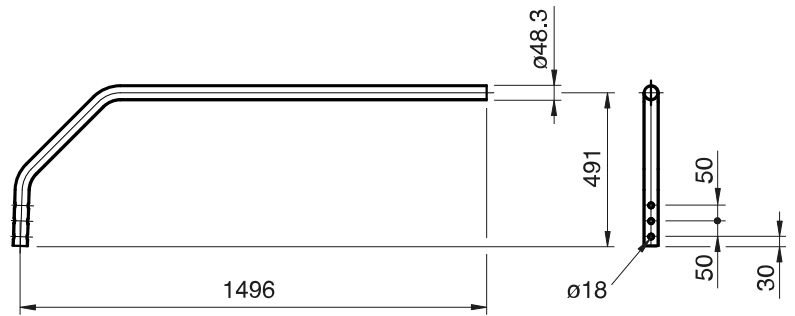
Fe stainless

Drawing number

371.00251

Ordering information

5461 Steady arm tube for low support



Registration tube for cantilever tube \varnothing 70

5462

Type	H (mm)
090	800
100	850
110	950

Note

Registration tube \varnothing 57
Length 1252 mm

Associated parts

Registration arm 5463 onw

Fasteners

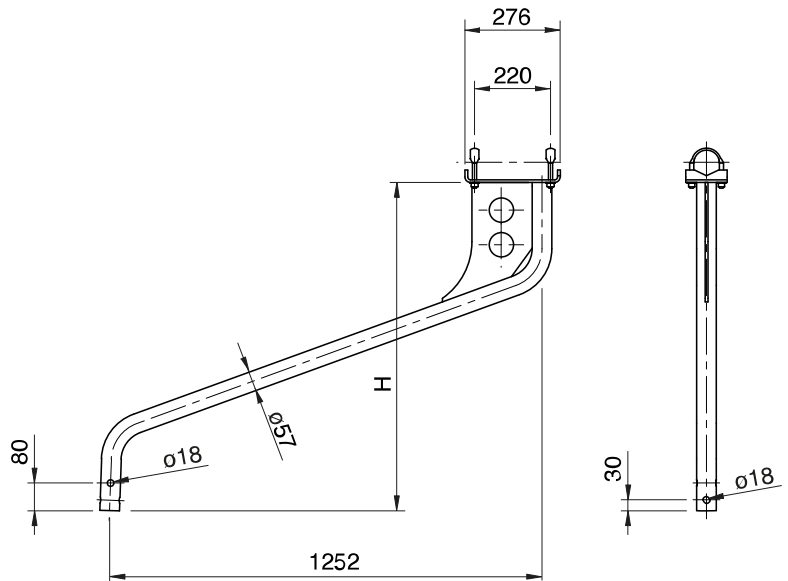
Supplied complete with U-bolts M 12.

Drawing number

371.00260

Ordering information

Type 090, height 800 mm
5462.090 Registration tube
for cantilever tube \varnothing 70



Adjustable registration tube for cantilever tube \varnothing 70

5462.1

Note

Registration tube \varnothing 57
Length 1257 mm

Associated parts

Registration arm 5463 onw

Fasteners

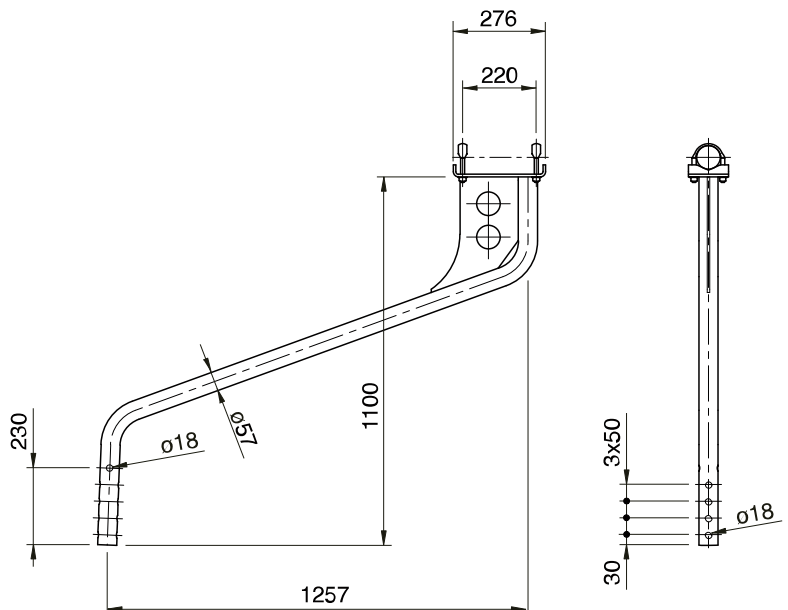
Supplied complete with U Bolt M12

Drawing number

371.00282

Ordering information

5462.1 Adjustable registration tube
for cantilever tube \varnothing 70



Note

Registration tube \varnothing 48

Fasteners

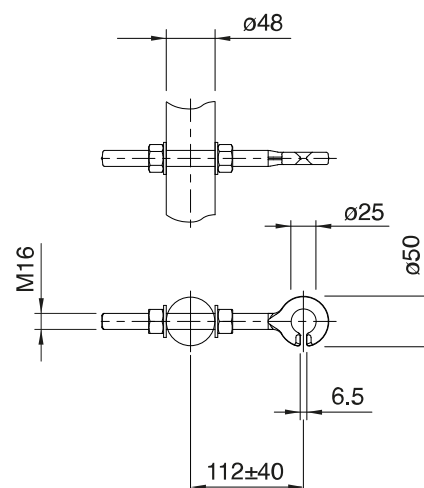
Supplied complete with hexagonal nut M16 and eyebolt M16.

Drawing number

442.00097

Ordering information

5463 Registration arm ring fitting for registration tube

**Note**

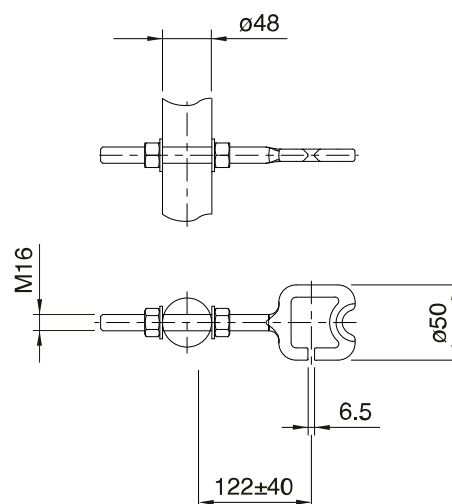
For registration tube \varnothing 48

Drawing number

442.00130

Ordering information

5464 Registration arm ring fitting for push off registration



Clevis end fitting for \varnothing 22 mm tube

5511

Note

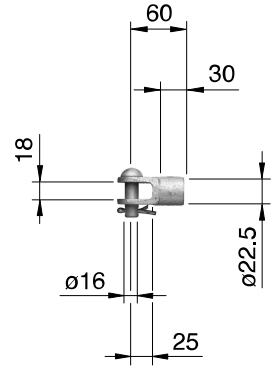
Steady arm tube 5521
 For fixing drill \varnothing 8 mm
 1 heavy type dowel pin \varnothing 8 x 36 mm
 1 heavy type dowel pin \varnothing 5 x 36 mm

Drawing number

449.00013

Ordering information

5511 Clevis end fitting for \varnothing 22 mm tube



Eye end fitting \varnothing 15 mm for \varnothing 22 mm tube

5512

Note

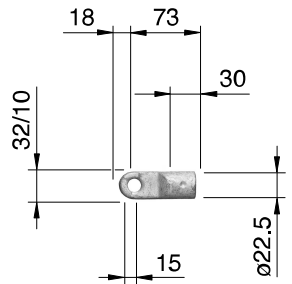
Steady arm tube 5522
 For fixing drill \varnothing 8 mm
 1 heavy type dowel pin \varnothing 8 x 36 mm
 1 heavy type dowel pin \varnothing 5 x 36 mm
 Only on 5515 onw, 5563 onw

Drawing number

449.00014

Ordering information

5512 Eye end fitting \varnothing 15 mm
 for \varnothing 22 mm tube



Eye end fitting \varnothing 18 mm for \varnothing 22 mm tube

5513

Note

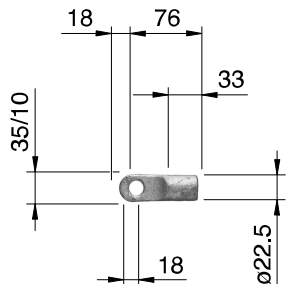
Steady arm tube 5523
 For fixing drill \varnothing 8 mm
 1 heavy type dowel pin \varnothing 8 x 36 mm
 1 heavy type dowel pin \varnothing 5 x 36 mm

Drawing number

449.00017

Ordering information

5513 Eye end fitting \varnothing 18 mm
 for \varnothing 22 mm tube



Clevis end fitting for 1" G tube

5514

Note

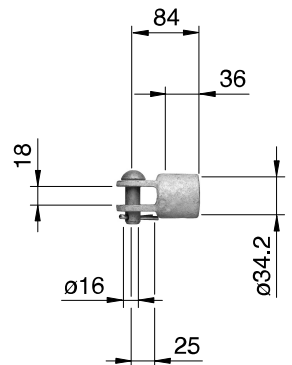
Steady arm tube 5524
 For fixing drill \varnothing 8 mm
 1 heavy type dowel pin \varnothing 8 x 50 mm
 1 heavy type dowel pin \varnothing 5 x 50 mm

Drawing number

449.00015

Ordering information

5514 Clevis end fitting for 1" G tube



Type	D (mm)	D (")
21	21.3	1/2
33	33.7	1

Note

Supplied complete with U-bolts.

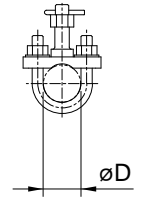
Drawing number

444.00005

Ordering information

Diameter 1/2"

5515.21 Clamp for steady arm on tube



Type	Clevis amount	D (mm)	D (")
1.22	1	22.2	-
1.33	1	33.7	1
1.42	1	42.4	1 1/4
1.48	1	48.3	1 1/2
1.60	1	60.3	2
1.76	1	76.1	2 1/2
2.22	2	22.0	-
2.33	2	33.7	1
2.42	2	42.4	1 1/4
2.48	2	48.3	1 1/2
2.60	2	60.3	2
2.76	2	76.1	2 1/2

Note

Suspended double hinge 5517

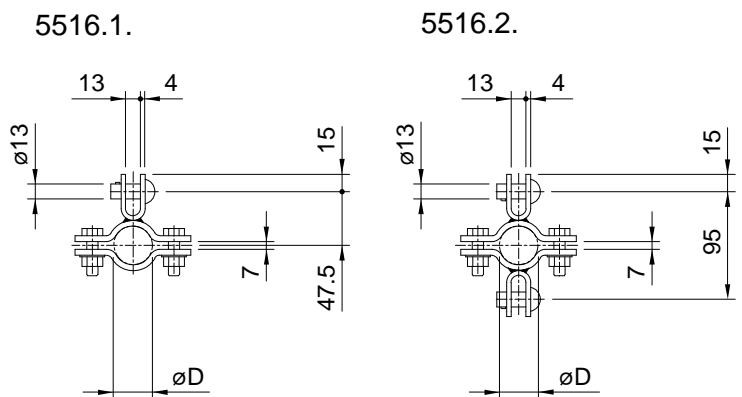
Drawing number

445.00007, .00009, .00015, .00015-4,
.00016, .00016-4, .00017, .00017-4,
.00018, .00018-4, .00022, .00022-4

Ordering information

1 Clevis, Diameter 2"

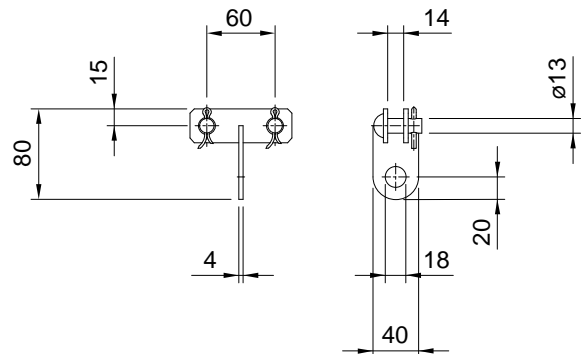
5516.1.60 Hinged clamp for steady arm
porter tube connection

**Drawing number**

417.00051-2

Ordering information

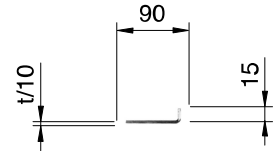
5517 Suspended double hinge
for steady arm



Wedge insert for steady arm**5518****Material**

Cu

Type	t (mm)
1	1.5
2	2.0
3	3.0
4	4.0

**Note**

Insulator 5112 onw

Drawing number

412.00061

Ordering information

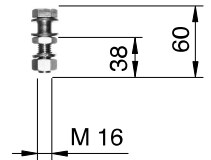
t = 3 mm

5518.3 *Wedge insert for steady arm***Bolt set for insulator lugs****5519****Note**

Steady arm tube 5523

Drawing number

442.00085

Ordering information5519 *Bolt set for insulator lugs*

Material

Fittings: Fe galvanized

Tube: Fe Stainless

Type	L (mm)
04	400
06	600
08	800
10	1000
12	1250
15	1500
17	1750
20	2000
22	2250
25	2500

Note

Steady arm 5531 onw

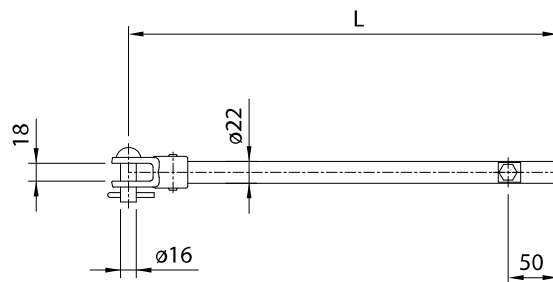
Clamp for steady arm 5515

Drawing number

442.00047

Ordering information

Length 800 mm

5521.08 Steady arm tube
with clevis end fitting**Material**

Fittings: Fe galvanized

Tube: Fe Stainless

Type	L (mm)
06	600
08	800
10	1000
12	1250
15	1500

Note

Steady arm 5531 onw

Clamp for steady arm 5515

Hinge clamp

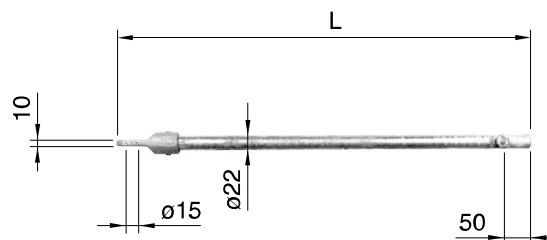
for cross wire 5563 onw

Drawing number

442.00048

Ordering information

Length 1250 mm

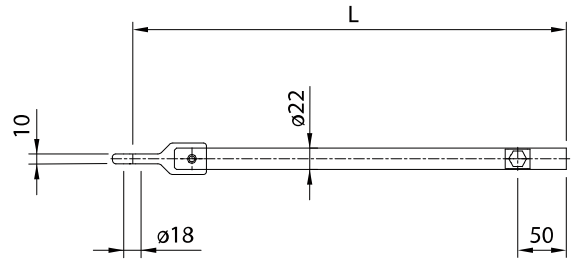
5522.12 Steady arm tube
with ø 15 mm eye end fitting

Material

Fittings: Fe galvanized

Tube: Fe stainless

Type	L (mm)
06	600
08	800
10	1000
12	1250
15	1500
17	1750
20	2000
22	2250
25	2500

**Note**

Steady arm 5531 onw

Clamp for steady arm 5515

Hinge clamp

for cross wire 5563 onw

Drawing number

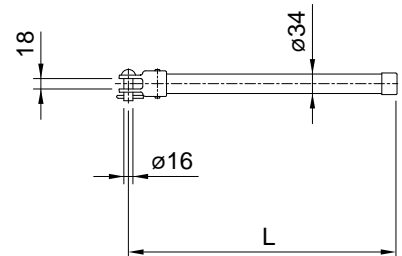
442.00021

Ordering information

Length 1000 mm

5523.10 Steady arm tube
with \varnothing 18 mm eye end fitting

Type	L (mm)
20	2000
25	2500
30	3000
35	3500
40	4000
45	4500
50	5000
55	5500
60	6000

**Note**

Clamp for steady arm 5515 onw

Drawing number

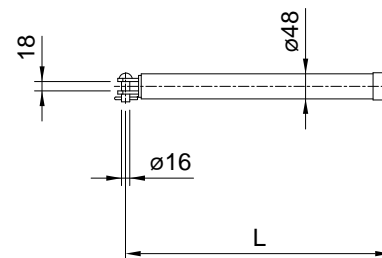
442.00049

Ordering information

Length 2500 mm

5524.25 Steady arm porter tube \varnothing 34
with clevis end fitting

Type	L (mm)
20	2000
25	2500
30	3000
35	3500
40	4000
45	4500
50	5000
55	5500
60	6000

**Note**

Hinged clamp for steady arm 5516

Drawing number

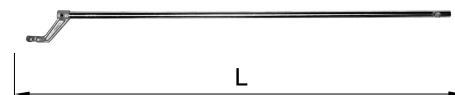
442.00075

Ordering information

Length 2000 mm

5525.20 Steady arm porter tube $\varnothing 48$
with clevis end fitting

Type	L (mm)
04	400
06	600
08	800
10	1000
12	1250
15	1500
17	1750
20	2000
22	2250
25	2500

**Note**

Steady arm 5531 onw

Drawing number

442.00038

Ordering information

Length 800 mm

5527.08 Steady arm tube with hook articulation

Adjustable steady arm end section with groove swivel

5531

Material

Fe stainless

Associated parts

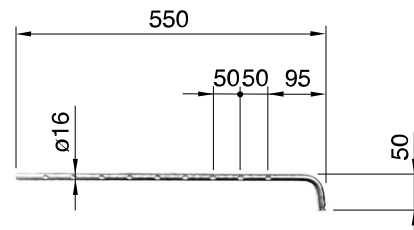
Contact wire swivel clip, groove type 5557

Drawing number

442.00022

Ordering information

5531 Adjustable steady arm end section with groove swivel



Adjustable deep steady arm end section with groove swivel

5532

Material

Fe stainless

Associated parts

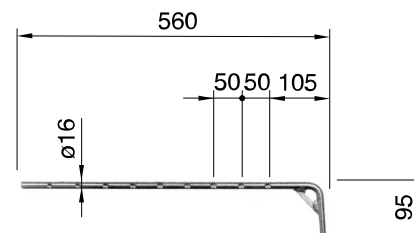
Contact wire swivel clip, groove type 5557

Drawing number

442.00023

Ordering information

5532 Adjustable deep steady arm end section with groove swivel



Adjustable deep curved steady arm end section with groove swivel

5533

Material

Fe stainless

Associated parts

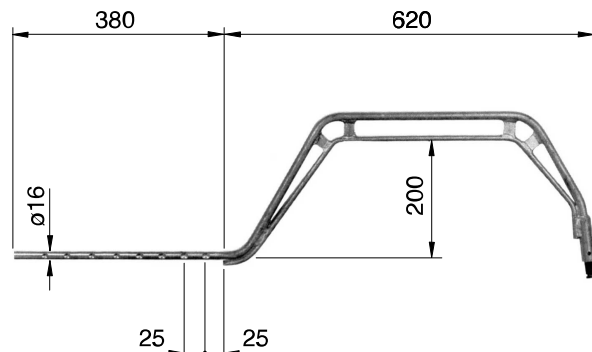
Contact wire swivel clip, groove type 5557

Drawing number

442.00024

Ordering information

5533 Adjustable deep curved steady arm end section with groove swivel



Adjustable deep curved steady arm end section with groove swivel, short

5534

Material

Fe stainless

Associated parts

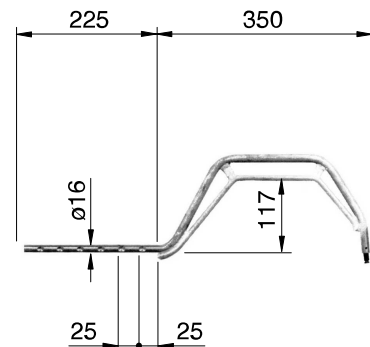
Contact wire swivel clip, groove type 5557

Drawing number

442.00060

Ordering information

5534 Adjustable deep curved steady arm end section with groove swivel, short



Material

Fe stainless

Type	L (mm)
07	700
08	850
10	1000
11	1150

Associated parts

Contact wire swivel clip, groove type 5557

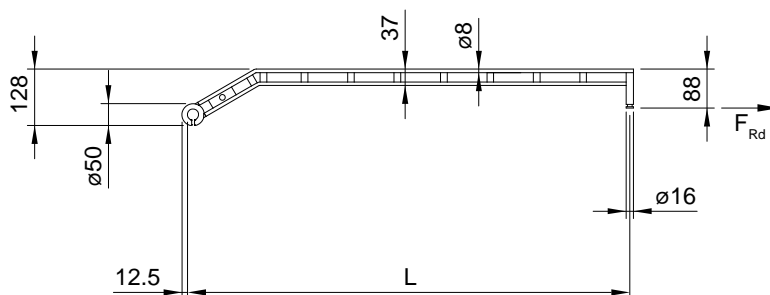
Tensile force $F_{Rd}(kN) = 1.8$ **Drawing number**

442.00044

Ordering information

Length 850 mm

5541.08 Curved steady arm, groove swivel

**Material**

Fe stainless

Type	L (mm)
07	700
08	850
10	1000
11	1150
13	1300
14	1450

Associated parts

Contact wire swivel clip, groove type 5557

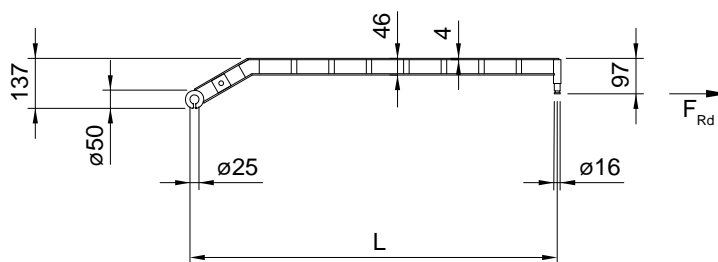
Tensile force $F_{Rd}(kN) = 3.6$ **Drawing number**

442.00174

Ordering information

Length 850 mm

5541.2.08 Steady arm stiffened curved, with groove swivel



Material

Fe stainless

Type	L (mm)
07	700
08	850
10	1000
11	1150
13	1300
14	1450

Associated parts

Contact wire swivel clip, groove type 5557

Tensile force

$F_{Rd}(kN) = 3.6$

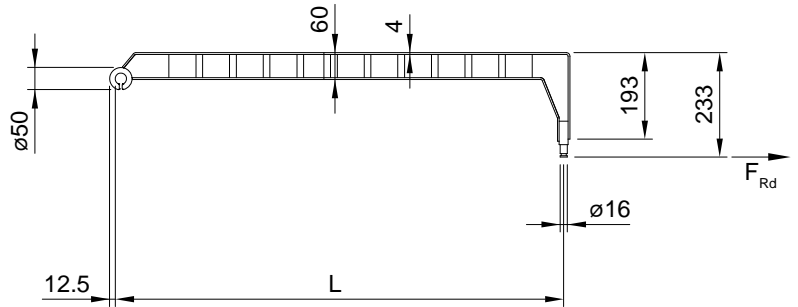
Drawing number

442.00175

Ordering information

Length 1000 mm

5542.2.10 Deep steady arm, groove swivel



Material

Fe stainless

Type	L (mm)
07	700
08	850
10	1000
11	1150
13	1300
14	1450

Associated parts

Contact wire swivel clip, groove type 5557

Tensile force

$F_{Rd}(kN) = 3.6$

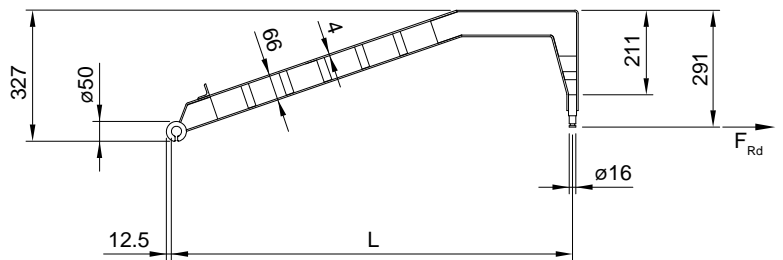
Drawing number

442.00176 - .00176-5

Ordering information

Length 1000 mm

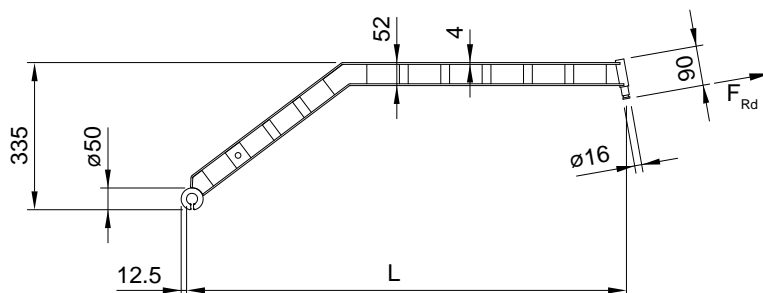
5543.2.10 Deep curved steady arm, groove swivel



Steady arm, long curved, with groove swivel

5546.2

Type	L (mm)
07	700
08	850
10	1000
11	1150
13	1300
14	1450



Associated parts

Contact wire swivel clip, groove type 5557

Tensile force

 $F_{Rd}(kN) = 3.6$

Drawing number

442.00180

Ordering information

Length 1000 mm

5546.2.10 Steady arm, long curved,
with groove swivel

Contact wire clip, 5/8" thread

5553

Material

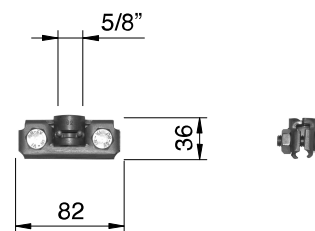
CuNiSi

Drawing number

444.00052

Ordering information

5553 Contact wire clip, 5/8" thread



Twin contact wire swivel clip on 5/8" thread

5555

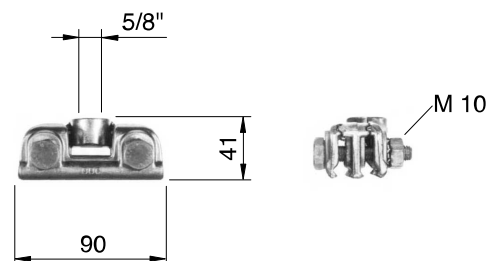
Material

CuNiSi

Drawing number

444.00053

Ordering information

5555 Twin contact wire swivel clip
on 5/8" thread

Contact wire swivel clip, groove type

5557

Material

CuNiSi

Note

For contact wire up to 193 mm²

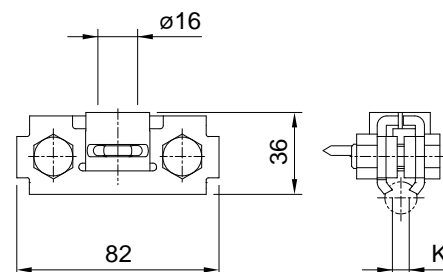
K = groove 5,0 - 8,5 mm

Other availables on request

Drawing number

444.00055

Ordering information

5557 Contact wire swivel clip,
groove type

Material

Fe stainless

Type	L (mm)
04	40
08	80

Note

For articles 2187, 2188, 2189

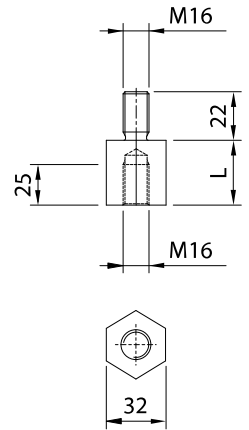
Drawing number

353.00403

Ordering information

L = 40 mm

5558.04 Extension piece for suspension



Stay wire $\varnothing 6$ mm

5561

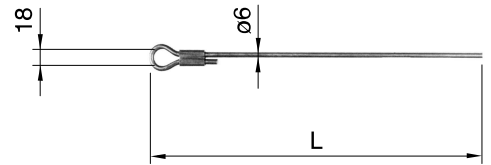
Material
FeCu

Type	L (mm)
10	1000
20	2000
30	3000

Note
Stay spiral 5562

Drawing number
437.00019

Ordering information
Length 2000 mm
5561.20 Stay wire $\varnothing 6$ mm

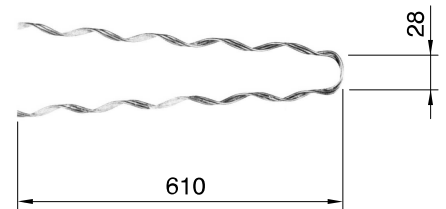


Stay spiral for bimetal $\varnothing 6$ mm

5562

Material
FeCu

Ordering information
5562 Stay spiral for bimetal $\varnothing 6$ mm

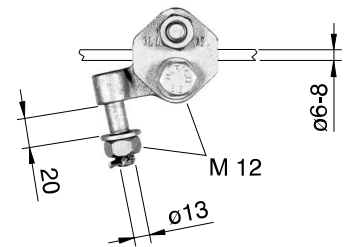


Hinge clamp for steady arm on cross span wire

5563

Drawing number
444.00026

Ordering information
5563 Hinge clamp for steady arm
on cross span wire

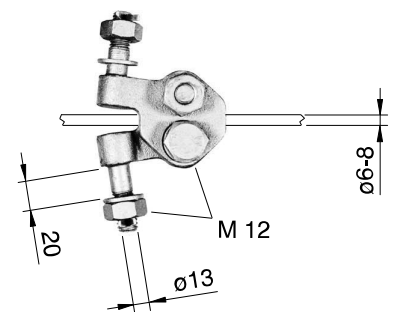


Twin hinge clamp for steady arm on cross span wire

5564

Drawing number
444.00050

Ordering information
5564 Twin hinge clamp for steady arm
on cross span wire



Delta cable, stainless steel

5565

Material

Cable: Fe stainless

Fittings: Fe stainless

Type Fittings

1	with clevis type
2	with eye type
3	with clevis type and pulley
4	with eye type and pulley

Note

Length L min.2,0 m

Length L max. 4,0 m

Available in steps of 0,5 m.

Other lengths available on request.

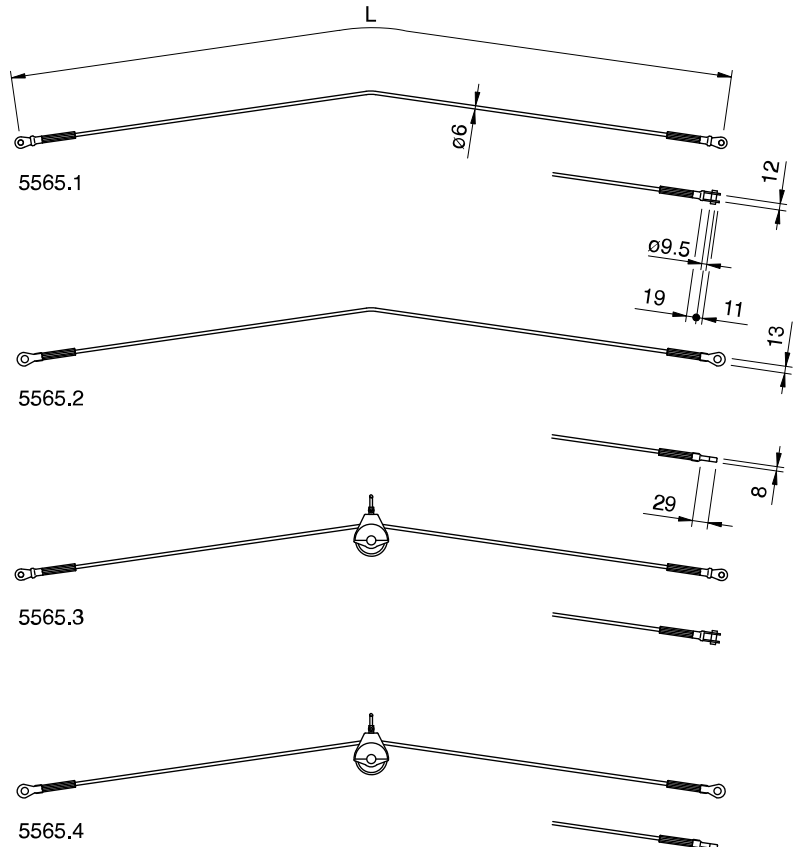
Drawing number

353.00563, .00565, .00566, .00602

Ordering information

with clevis type end pulley, length L = 4,0 m,

5565.3.40 Delta cable, stainless steel



Flat laying steady arm, groove type

5571

Material

Fe stainless

Type	L (mm)
------	-----------

04	400
05	500
06	600
07	700
08	800
09	900
11	1100

Note

Contact wire swivel clip, groove type 5557

Drawing number

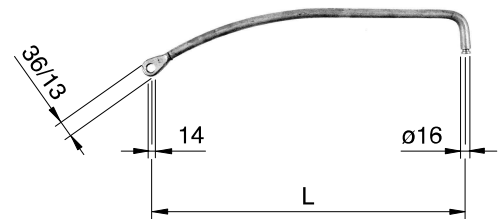
443.00084, .00086, .00088, .00090,

.00092, .00094, .00095

Ordering information

Length 900 mm

5571.09 Flat laying steady arm, groove type



Material

Rod / Tube: GRP

Fittings: CuSn

Type	L (mm)
26.060	600
26.080	800
26.100	1000
26.120	1200

Note

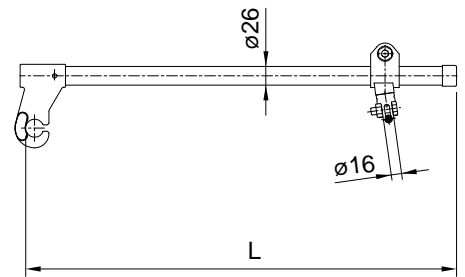
Other lengths on request.

Associated parts

Contact wire swivel clip, groove type 5557

Drawing number

356.00095

Ordering informationwith rod \varnothing 26 mm, length 1000 mm5582.26.100 Steady arm, synthetic,
adjustable groove type**Material**

Rod / Tube: GRP

Fittings: CuSn

Type	L (mm)
26.060	600
26.080	800
26.100	1000
26.120	1200

Note

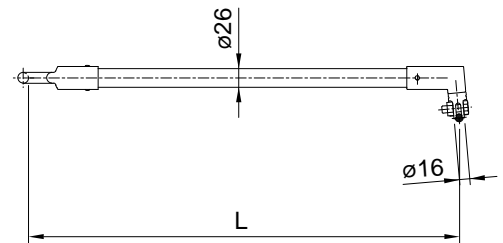
Other lengths on request.

Associated parts

Contact wire swivel clip, groove type 5557

Drawing number

356.00086

Ordering informationwith rod \varnothing 26 mm, length 800 mm5583.26.080 Steady arm, synthetic,
fixed, groove type

Material

Rod / Tube: GRP

Fittings: Al-cast

Type	L (mm)
26.060	600
26.080	800
26.100	1000
26.120	1200

Note

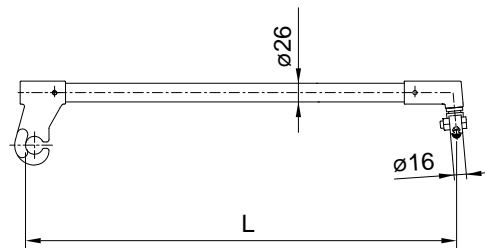
Other lengths on request. Other diameters for contact wire swivel clip possible (\varnothing 16 - 22)

Associated parts

Contact wire swivel clip, groove type 5557

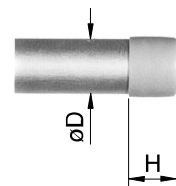
Drawing number

356.00040

Ordering informationwith rod \varnothing 26 mm, length 800 mm*5584.26.080 Steady arm, synthetic, groove type for GRP cantilever*

Material
Synthetic

Type	D (mm)	D (")	H (mm)
21	21.3	1/2	20
22	21.3	1/2	20
25	25.0	-	20
33	33.7	1	27
38	38.0	1 1/8	27
48	48.3	1 1/2	35
50	50.0	-	35
60	60.3	2	35
70	70.0	-	35
76	76.1	2 1/2	35



Note
Cap can be used without tube preparation.

Drawing number
356.00114

Ordering information
1 1/2 "
5591.48 Tube cap

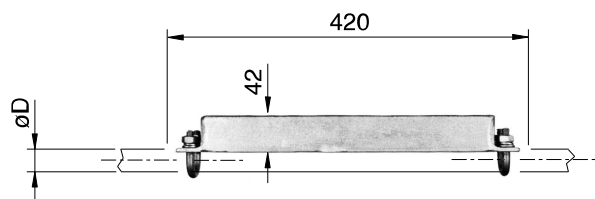
Type	D (mm)	D (")
21	21.3	1/2
33	33.7	1

Note
Supplied complete with U-bolts.

Weight
Wt (kg) = 10

Drawing number
445.00003, .00006

Ordering information
on tube 1 "
5594.33 Weight for steady arm porter tube



Straight line hanger, groove swivel

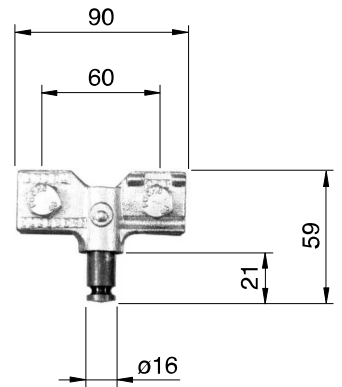
5611

Note

Contact wire swivel clip, groove type 5557
For rope up to 35 mm², wire ø 6 mm

Ordering information

5611 Straight line hanger, groove swivel



Twin line hanger, straight, groove swivel

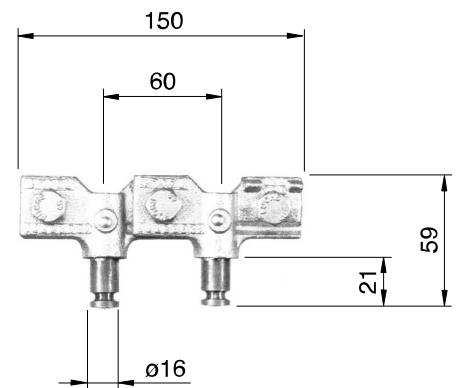
5612

Note

Contact wire swivel clip, groove type 5557
For rope up to 35 mm², wire ø 6 mm

Ordering information

5612 Twin line hanger, straight, groove swivel



Hanger for insulated two pole line in cross wire, groove type

5641

Material

Tube: GRP

Fittings for tube: Al-cast

Swivel clip fittings: CuAl

Note

Contact wire swivel clip, groove type 5557

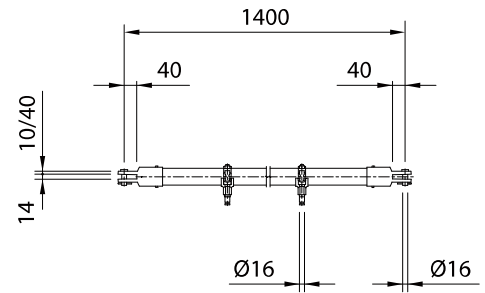
Other types on request.

Drawing number

962.00672

Ordering information

5641 Hanger for insulated two pole line
cross wire, groove type



Contact wire support on traverse, groove type, 3 kV

5642

Material

Insulation: Synthetic

Threaded sockets: Fe stainless

Note

Contact wire support with

2 x 2 sockets M16 internal thread

Associated parts

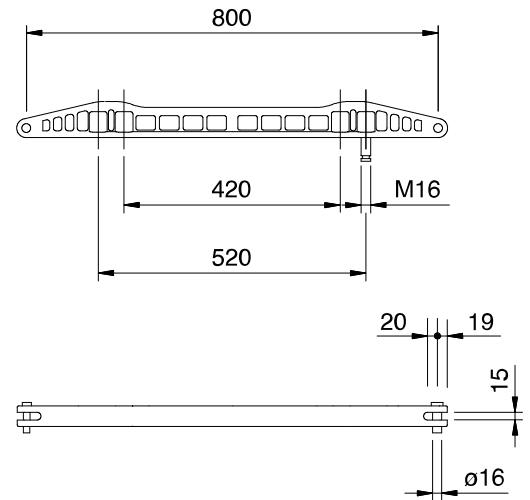
Threaded pin with groove 5643

Drawing number

353.00911

Ordering information

5642 Contact wire support on traverse,
groove type, 3 kV



Threaded pin with groove M16

5643

Material

Fe stainless

Drawing number

353.00355

Ordering information

5643 Threaded pin with groove M16

