

Type	M (mm)	L (mm)	L1 (mm)	AF (mm)	F _{Rd} (kN)	Wt (kg)
30	30	1800	160	46	135	10
36	36	2200	180	55	195	16
39	39	2500	180	60	248	22

Note

Spacer 1112 o/w
Insulating set 6311

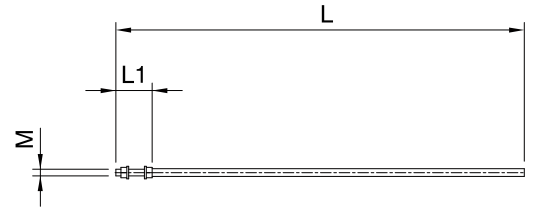
Drawing number

318.00017

Ordering information

M 36

1111.36 Foundation bolt



Spacer for foundation bolts

1112

Material

Fe black

Type	A (mm)	Wt (kg)
34	340	1.6
50	500	1.8

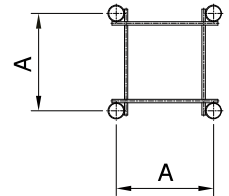
Drawing number

328.00038

Ordering information

Bolt spacing 340 mm

1112.34 Spacer for foundation bolts



Foundation bolts with frame

1114

Type	M (mm)	L (mm)	L1 (mm)	AF (mm)
30	30	900	160	46
36	36	1100	180	55

Note

Insulating set 6311

Special version:

Frames of other lengths possible.

Resistance

Transmittable forces depending on local conditions.

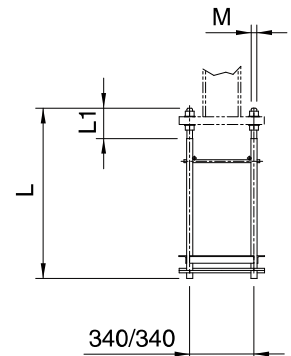
Drawing number

328.00071, .00072

Ordering information

for M 30 foundation bolts

1114.30 Foundation bolts with frame



Material

Fe black

Type	A (mm)	Wt (kg)
34.1	340	0.8
34.2	340	1.0

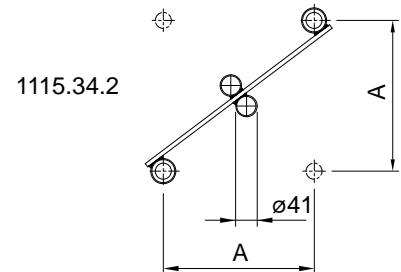
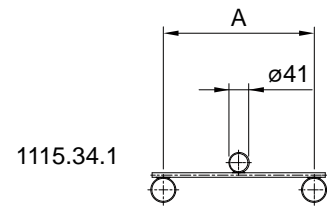
Drawing number

328.00123, .00138

Ordering information

Distance between screws 340 mm

1115.34.1 Spacer for cable adjustment



Material

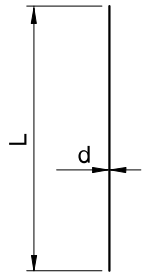
Reinforcing steel III

Type	L (mm)	d (mm)
06	600	10
10	1000	12
16	1600	12

Ordering information

Length 600 mm

1123.06 Reinforcement bar

**Material**

Reinforcing steel III

Type	A (mm)
50	500
65	650
80	800

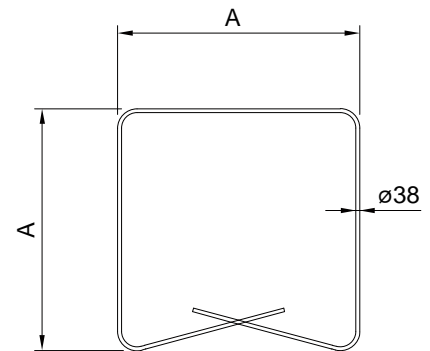
Drawing number

311.00077

Ordering information

Link 500 mm

1124.50 Reinforcement link

**Material**

Reinforced concrete

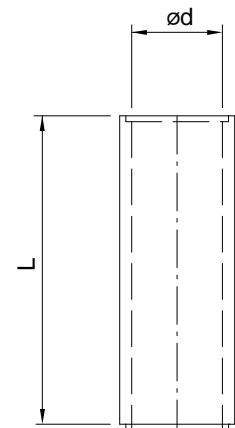
Type	d (mm)	L (mm)
15.05	150	500
15.10	150	1000
20.05	200	500
20.10	200	1000
30.05	300	500
30.10	300	1000
40.05	400	500
40.10	400	1000
50.05	500	500
50.10	500	1000
60.05	600	500
60.10	600	1000

Note

Cover 1126

Ordering informationCore \varnothing 300 mm

1125.30.10 Concrete well casting for mast foundation



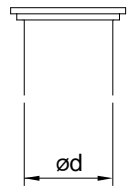
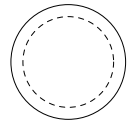
Material

Reinforced concrete

Type	d (mm)
15	150
20	200
30	300
40	400
50	500
60	600

Ordering informationCover \varnothing 300 mm

1126.30 Cover for well casing



Note

Insulating set 6321

Associated parts

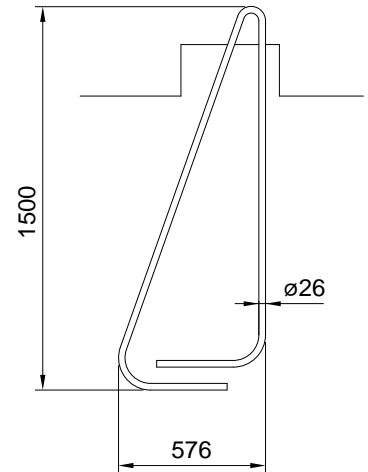
Anchor rope \varnothing 20 mm 1311
Triangular clevis link for
2 anchors 1321

Drawing number

331.00002

Ordering information

1131 Foundation anchor stirrup



Pole range

Section HEB 160-260
Lengths 4,00 - 16,00 m

Type	HEB (mm)	Wt (kg/m)	A (mm)
16	160	42.6	100
18	180	51.2	100
20	200	61.3	110
22	220	71.5	130
24	240	83.2	150
26	260	93.0	150

Note

Available in 0,50 m steps.
When ordering state length L.
Max. load for transport by helicopter 2 t.
x = bonding point for earthing 2 x M 12

Associated parts

Mast extension 1231 o/w

Fasteners

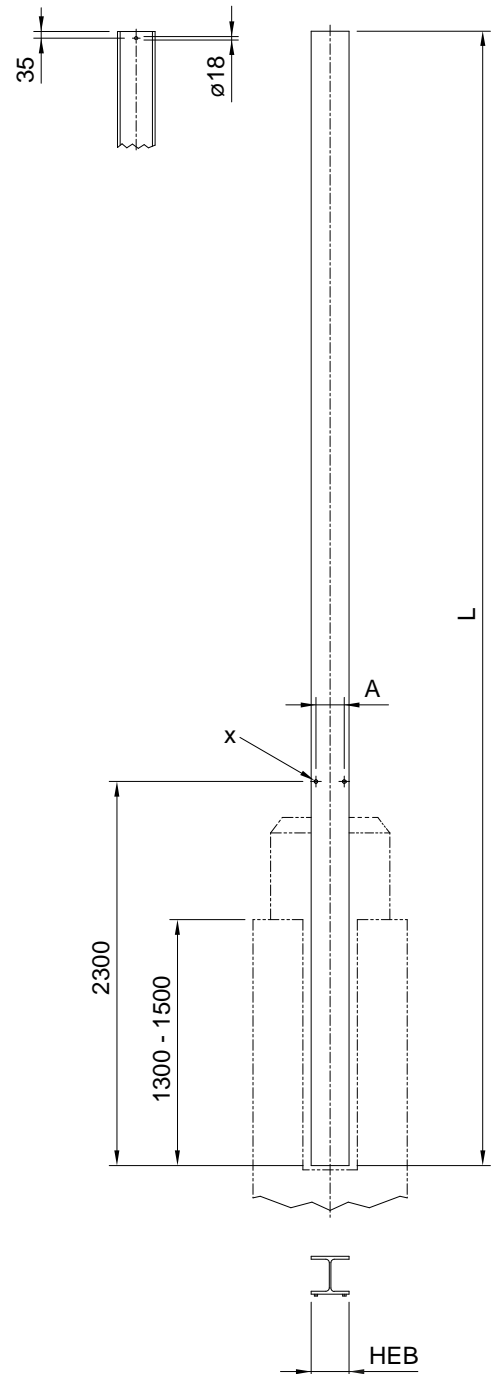
Fastening to bridge/wall 1411 o/w

Drawing number

328.00515, .00517, .00519, .00521, .00523, .00525

Ordering information

HEB 180, Length 8,00 m
1211.18.080 Wide-flanged mast



Pole range

Section HEB 160-260
Lengths 5,00 - 16,00 m

Type	HEB (mm)	Wt (kg/m)	M (mm)	d (mm)	t (mm)
16	160	42.6	30	39	35
18	180	51.2	30	39	35
20	200	61.3	30	39	35
22	220	71.5	30	39	35
24	240	83.2	36	45	40
26	260	93.0	36	45	40

Note

Available in 0,50 m steps.
When ordering state length L.
Max. load for transport by helicopter 2 t.
x = bonding point for earthing 2 x M 12

Additional weight for base plate:

HEB 160-220 50 kg

HEB 240-260 60 kg

Associated parts

Mast extension 1231 o/w
Foundation material 1111 o/w
Insulating set 6311

Fasteners

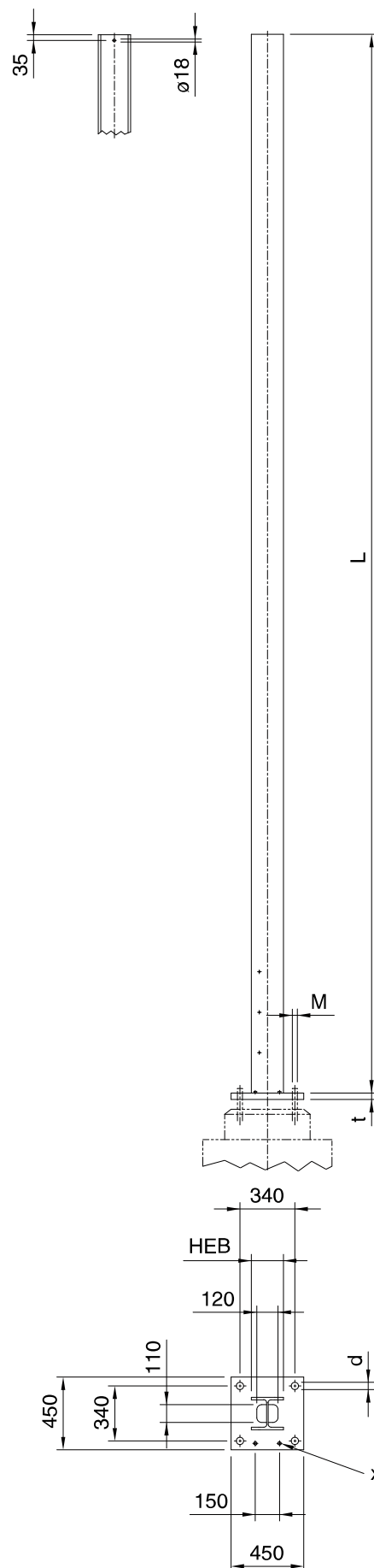
Connection on
bridge/wall 1414 o/w

Drawing number

328.00240, .00241, .00267, .00270,
.00272, .00274

Ordering information

HEB 240, Length 12,00 m
1212.24.120 Wide-flanged mast with
base plate



Pole range

Section HEB 200-260
Lengths 8,00 - 16,00 m

Type	HEB (mm)	Wt (kg/m)	A (mm)
20	200	62.3	110
24	240	83.2	150
26	260	93.0	150

Note

Available in 0,50 m steps.

When ordering state length L and L1.
Max. load for transport by helicopter 2 t.
x = bonding point for earthing 2 x M 12

Additional weight L1:

HEB 200 44,5 kg/m

HEB 220 49,5 kg/m

HEB 240 54,5 kg/m

HEB 260 61,8 kg/m

Associated parts

Mast extension 1231 o/w

Fasteners

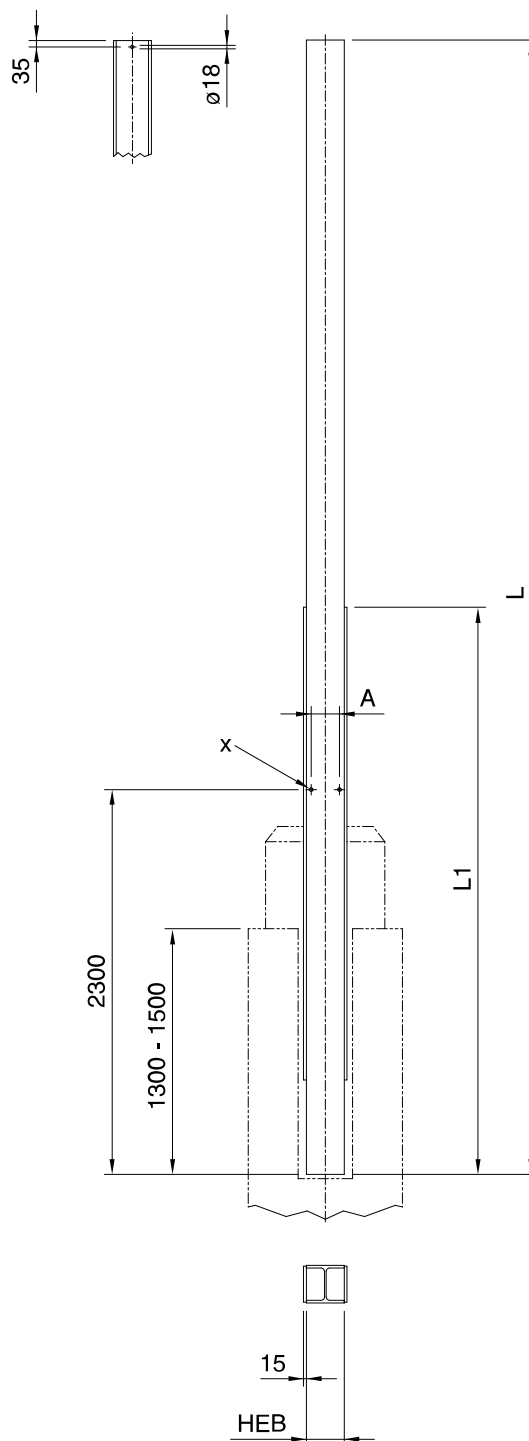
Connection on
bridge/wall 1411 o/w

Drawing number

328.00527, .00529, .00531, .00533

Ordering information

HEB 200, Length 12,00 m, L1 6,00 m
1221.20.120.06 Wide-flanged mast
reinforced



Pole range

Section HEB 200-260
Lengths 8,00 - 16,00 m

Type	HEB (mm)	Wt (kg/m)
20	200	61.30
22	220	71.50
24	240	83.20
26	260	93.00

Note

Available in 0,50 m steps.
When ordering state length L and L1.
Max. load for transport by helicopter 2 t.
x = bonding point for earthing 2 x M 12

Additional weight L1:

HEB 200 44,5 kg/m
HEB 220 49,5 kg/m
HEB 240 54,5 kg/m
HEB 260 61,8 kg/m

Additional weight for base plate:

HEB 200-260 60 kg

Associated parts

Mast extension 1231 o/w
Foundation material 1111 o/w
Insulating set 6311

Fasteners

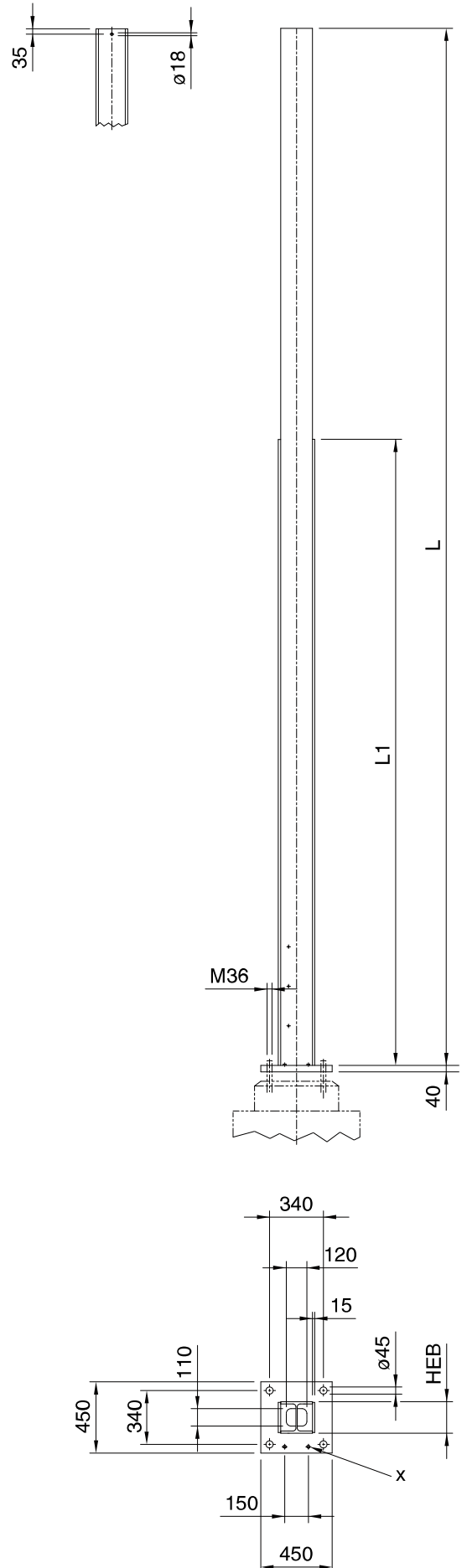
Connection on
bridge/wall 1414 o/w

Drawing number

328.00465, .00467, .00469, .00471

Ordering information

HEB 240, Length 12,00 m, L1 10,00 m
1222.24.120.100 Wide-flanged mast
reinforced with base plate



Pole range

Section HEB 160-260
Lengths 1,00 - 2,50 m

Type	HEB (mm)	Wt (kg)
16	160	42.60
18	180	51.20
20	200	61.30
22	220	71.30
24	240	83.20
26	260	93.00

Note

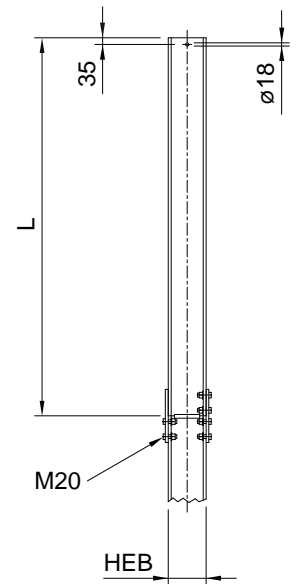
Available in 0,50 m steps.
State length when ordering.

Drawing number

329.00080, .00083, .00086, .00089,
.00092, .00092-1, .00095

Ordering information

HEB 160, Length 2,50 m
1231.16.25 Mast extension /
wide flange section

**Pole range**

Selection HEB 160 / 180-240 / 260

Type	L (m)	L1 (m)	Wt (kg)	Rungs
25	2.5	1.8	41	1
32	3.2	2.5	54	3

Note

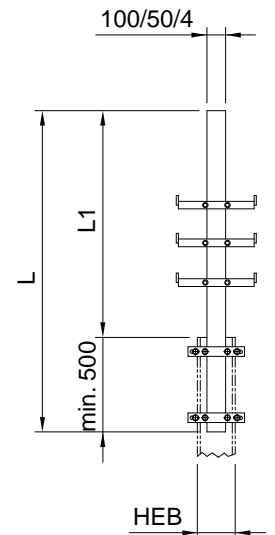
Supplied complete with U-bolts

Drawing number

329.00058 - .00063

Ordering information

Length 3,2 m, on HEB 240
1232.32.24 Mast extension - hollow
section



Material

Impregnated wood

Type	L (m)	D1 (mm)	D2 (mm)	D3 (mm)	Wt (kg)
07N	7	170 - 180	150 - 160	110 - 120	78
07S	7	190 - 200	170 - 180	130 - 140	104
08N	8	180 - 190	160 - 170	120 - 140	111
08S	8	200 - 210	180 - 190	140 - 150	130
09N	9	190 - 200	170 - 180	120 - 140	130
09S	9	210 - 220	190 - 200	150 - 160	169
10N	10	200 - 210	180 - 190	120 - 140	163
10S	10	220 - 230	200 - 210	150 - 160	195
11N	11	210 - 220	190 - 200	130 - 150	195
11S	11	230 - 240	210 - 220	160 - 170	234
12N	12	220 - 230	200 - 210	130 - 150	228
12S	12	240 - 250	220 - 230	130 - 170	273
13N	13	230 - 240	210 - 220	140 - 160	267
13S	13	250 - 260	230 - 240	170 - 180	306
14N	14	240 - 250	220 - 230	140 - 160	299
14S	14	260 - 280	240 - 250	170 - 180	338
15N	15	250 - 260	230 - 240	150 - 170	338
15S	15	270 - 290	250 - 260	180 - 190	377

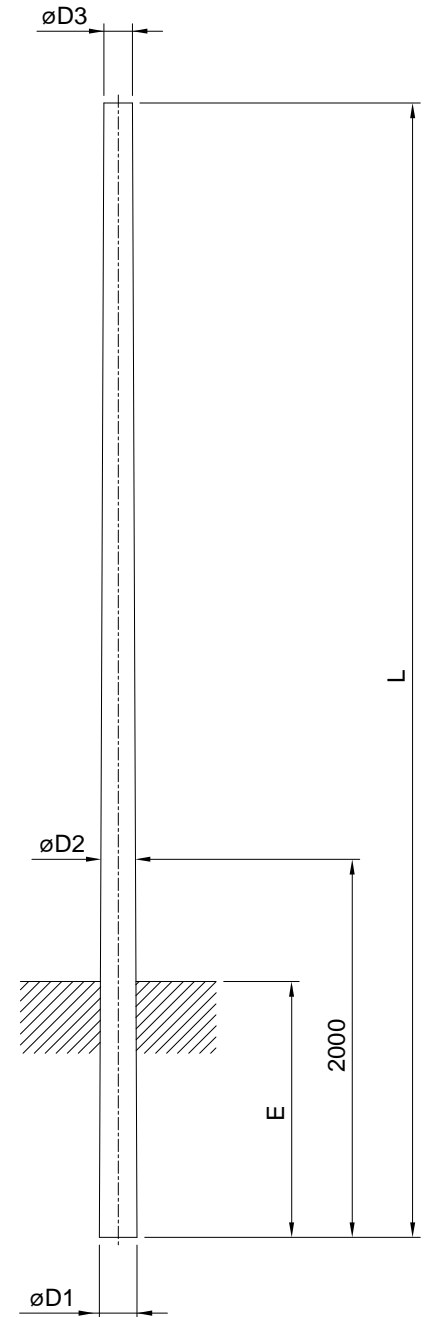
Note

Version N: Normal / S: Strong

Mechanical strength properties and E
in accordance with high-voltage regulation.
Extra strong poles available on request.

Ordering information

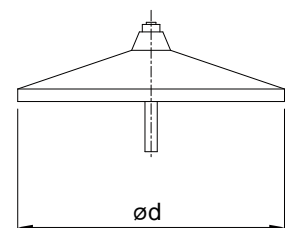
Length 12 m, strong version
1241.12S Wooden pole



Type	d (mm)
16	160
18	180
20	200
22	220

Ordering information

for ø 140 mm
1242.14 Wooden pole cap



Note

State top load (F_{Rd}) and length (L, L4 and L5) in your inquiry.

The values L1 - L3 and D1 - D3 are indicated with the offer.

Top load F_{Rd} min. 6,0 kN

Top load F_{Rd} max. 18,0 kN

Length L min. 8,0 m

Length max. 12,0 m

Available in steps of 0,5 m

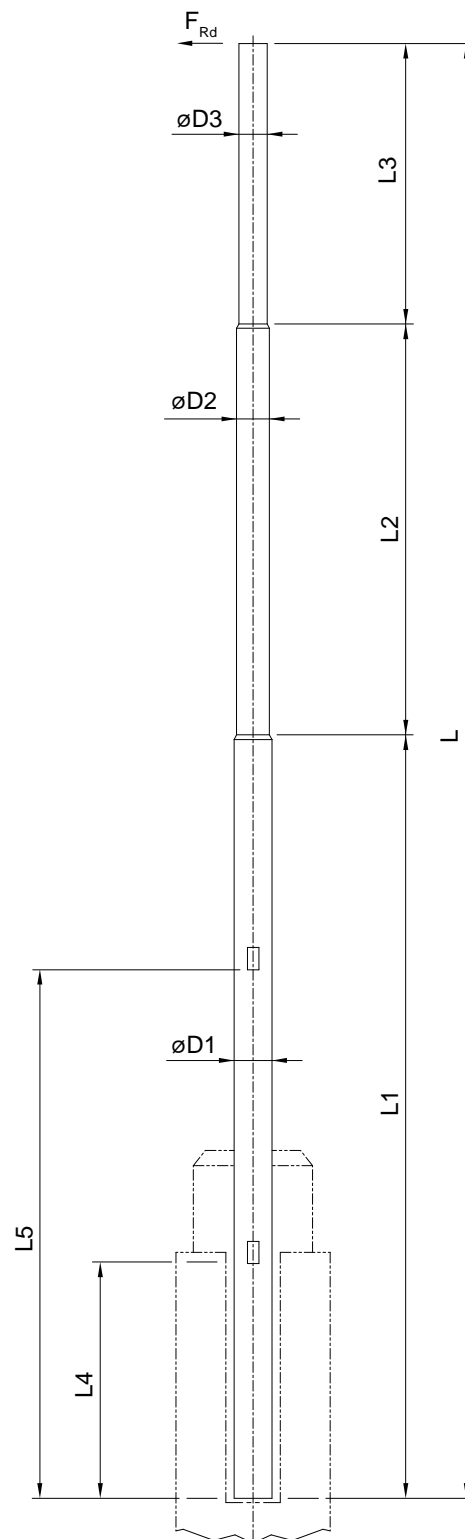
Other lengths available on request.

Cable entry and doors on request.

Ordering information

Length 10,00 m, F_{Rd} 8 kN

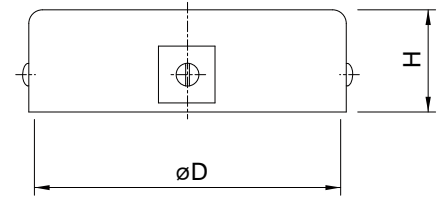
1251.10.08 Tubular steel pole - 3 sections



Type	D (mm)	H (mm)
13	101 - 130	45
16	131 - 160	45
19	161 - 190	45
22	191 - 220	70
25	221 - 250	70
28	251 - 280	70
31	281 - 310	70

Drawing number
327.00001

Ordering information
For 150 mm \varnothing
1252.16 Tubular pole cap



Note

State top load (F_{Rd}) and length (L)

in your inquiry.

The values t, L1 - L3 and D1 - D3 are indicated with the offer.

Top load F_{Rd} min. 6,0 kN

Top load F_{Rd} max. 18,0 kN

Length L min. 8,0 m

Length L max. 12,0 m

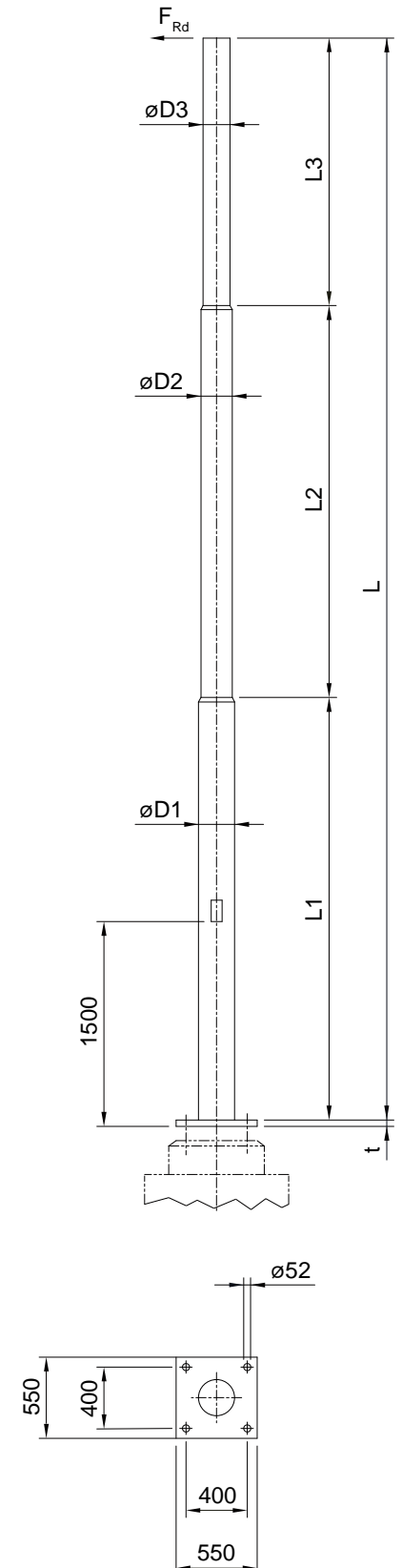
Other lengths available on request.

Cable entr and doors on request.

Ordering information

Length 10,00 m, F_{Rd} 6 kN

1253.10.06 Tubular steel pole - 3 sections
with base plate

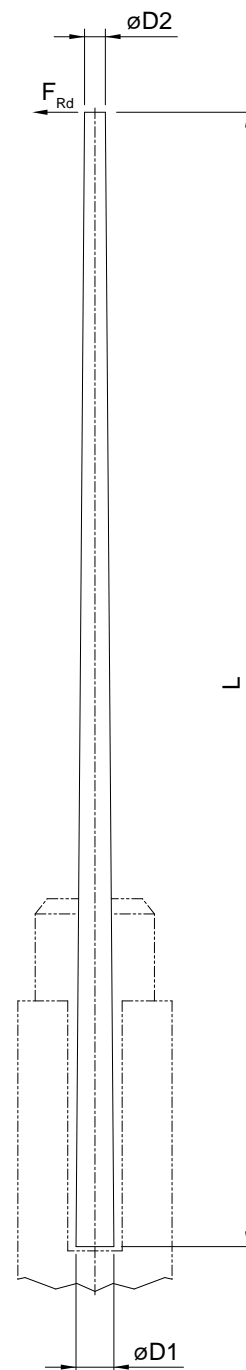


Note

State top load (F_{Rd}) and length (L) in your inquiry.
The values D1 and D3 are indicated with the offer.
Top load F_{Rd} min. 6,0 kN
Top load F_{Rd} max. 18,0 kN
Length L min. 8,0 m
Länge L max. 12,0 m
Other lengths available on request.
Cable entry and doors on request.

Ordering information

Length 12,00 m, F_{Rd} 7 kN
1254.12.07 Tubular steel pole conical

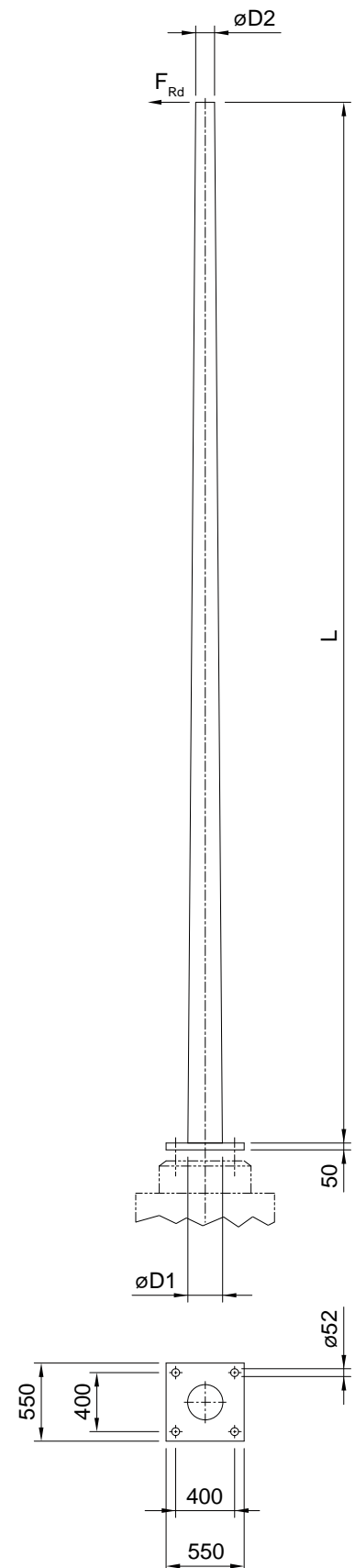


Note

State top load (F_{Rd}) and length (L) in your inquiry.
The values D1 and D3 are indicated with the offer.
Top load F_{Rd} min. 6,0 kN
Top load F_{Rd} max. 18,0 kN
Length L min. 8,0 m
Length L max. 12,0 m
Available in steps of 0,5 m.
Other lengths available on request.
Cable entry and doors on request.

Ordering information

Length 8,00 m, F_{Rd} 6 kN
1255.08.06 Tubular steel pole conical with base plate



Material

Reinforced concrete

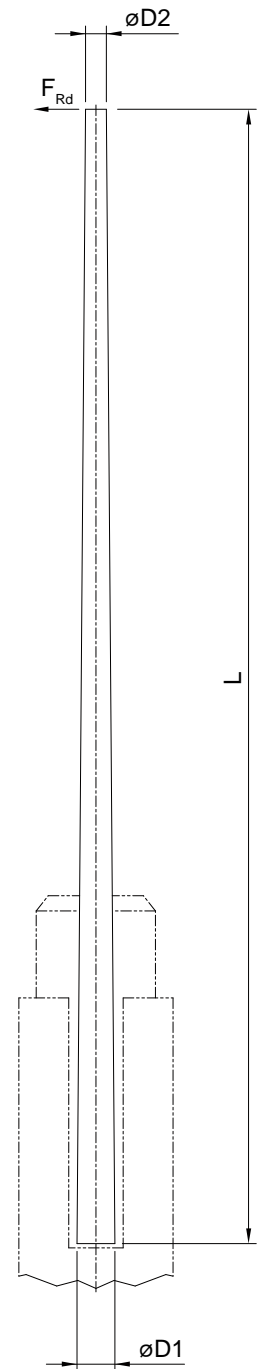
Type	L (m)	F _{Rd} (kN)	Wt (kg)
09.06	9	6.0	190
09.10	9	10.0	215
09.14	9	14.0	215
09.18	9	18.0	265
10.06	10	6.0	200
10.10	10	10.0	225
10.14	10	14.0	250
10.18	10	18.0	250
11.10	11	10.0	235
11.14	11	14.0	235

Note

For foundations with insert.
Other dimensions on request.
The values D1 and D2 are
indicated with the offer.

Ordering information

Length 11 m, F_{Rd} 14 kN
1261.11.14 Concrete pole



Note

State length L and L1 when ordering.

Associated parts

TTC-Boom 21101

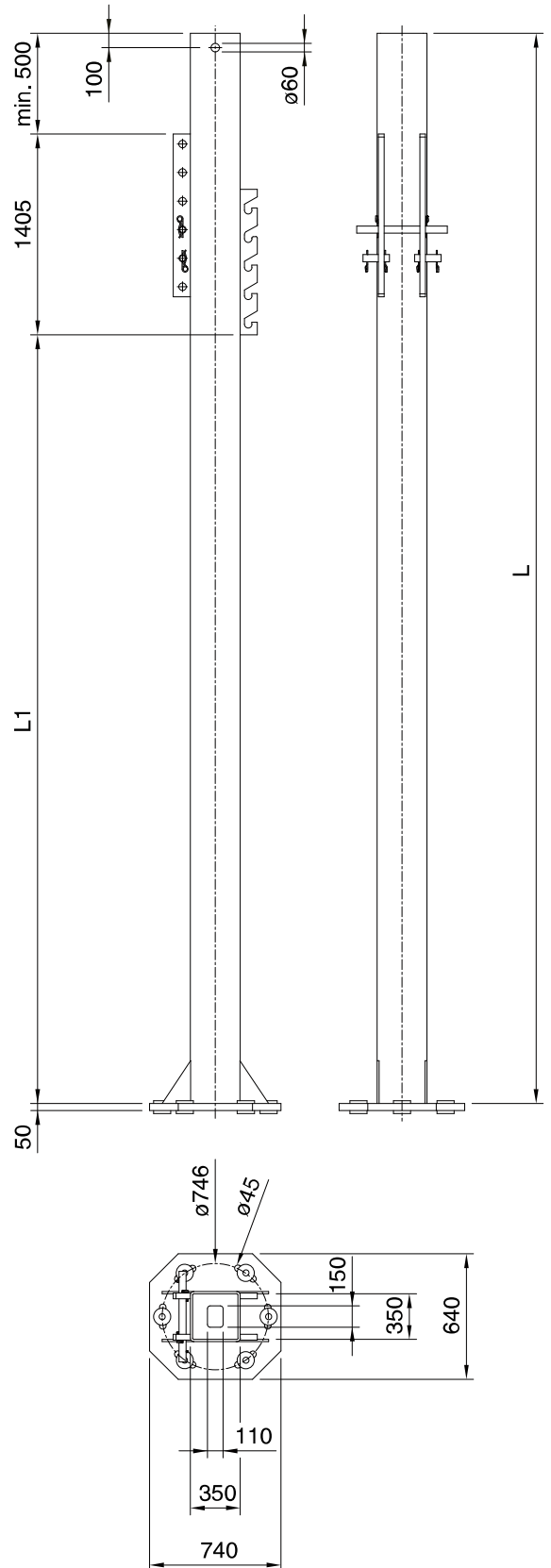
Drawing number

B.01.01.03

Ordering information

for length 9,50 m and L1 7,50 m

1271.95.75 Tubular mast 350 x 350 for TTC-Boom



Note

State length L and L1 when ordering.

Associated parts

TTC-Boom long 21102

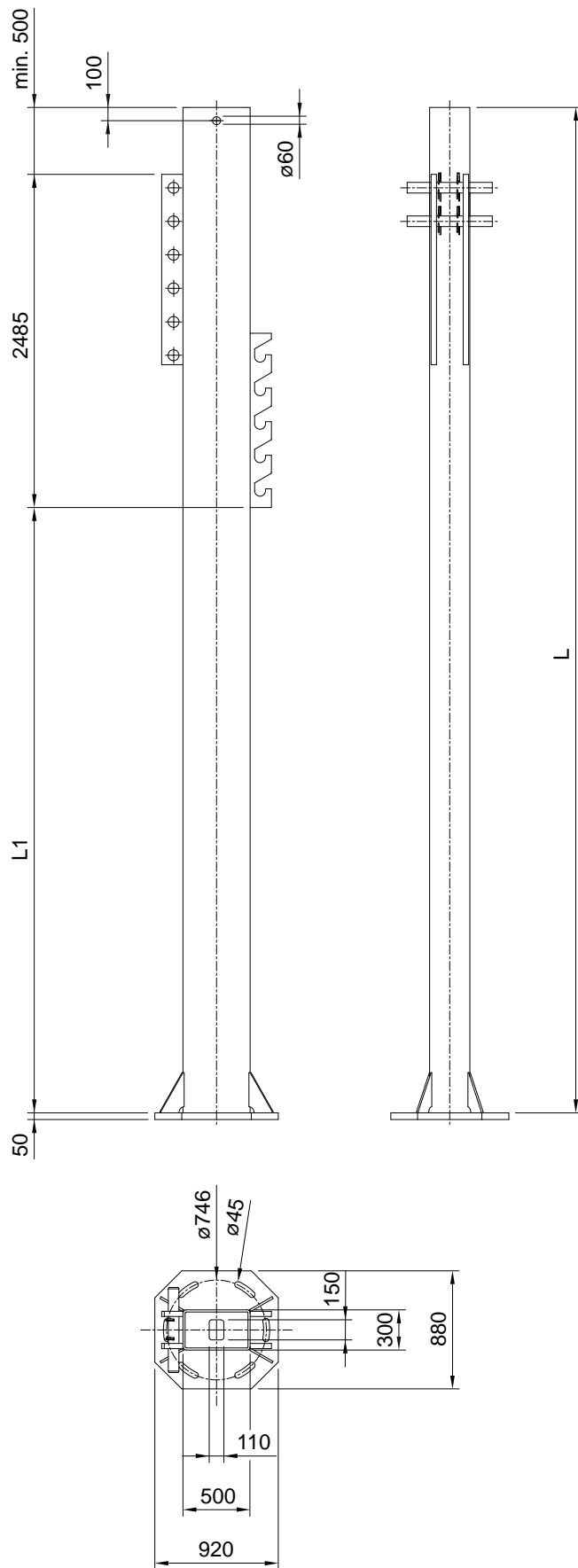
Drawing number

328.00401

Ordering information

for length 9,50 m and L1 7,50 m

1272.95.75 Tubular mast 300 x 500 for TTC long



Note

With Mast Base Plate for 6 x Bolt M 39
on 762 mm Diameter x 16 mm
thick Tubular Pile Foundation
State length L and L1 when ordering.

Associated parts

Support Bracket for

Mono Anchor Boom WPE 450 22701

Mono Anchor Boom WPE 450 22704

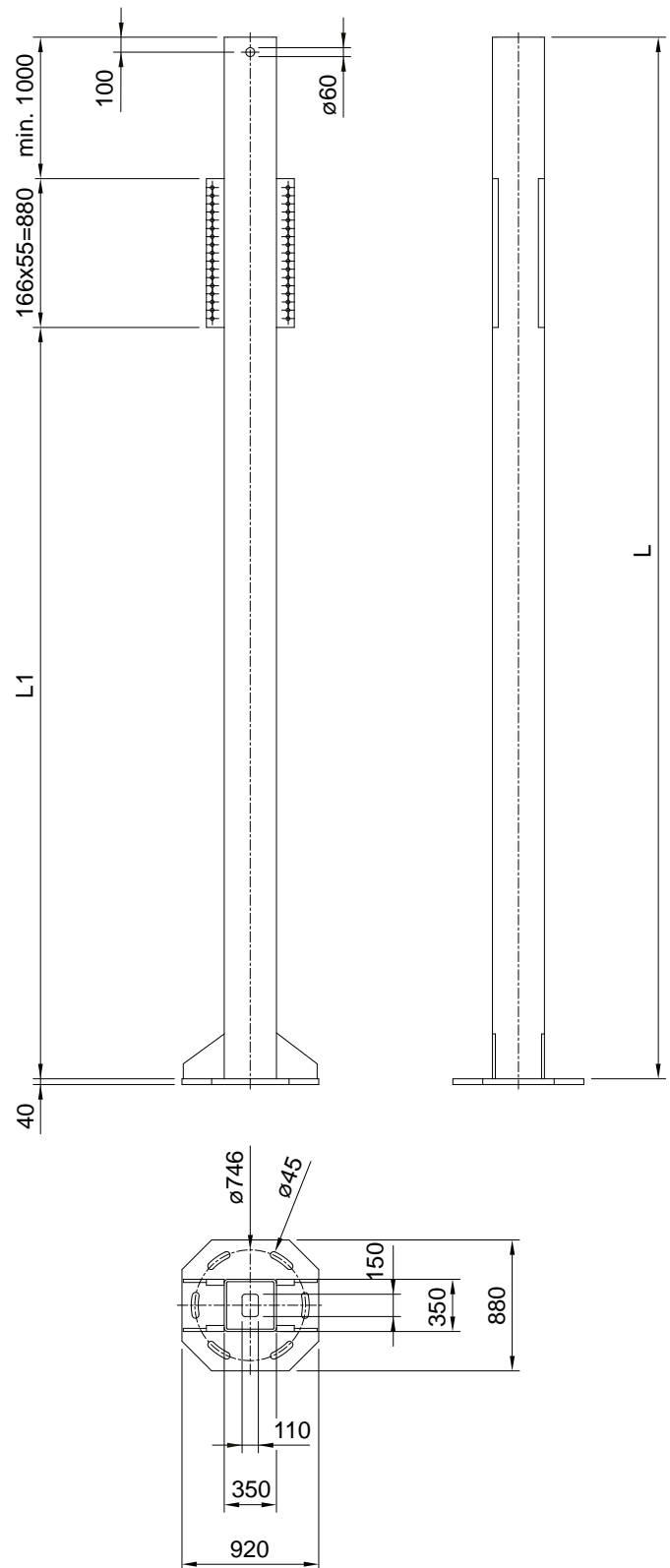
Drawing number

328.00337

Ordering information

for length 8,00 m and L1 6,50 m

1281.80.65 Tubular mast 350 x 350 for
Mono Anchor Boom WPE 450



Note

With Mast Base Plate for 6 x Bolt M 39
State length L and L1 when ordering.

Associated parts

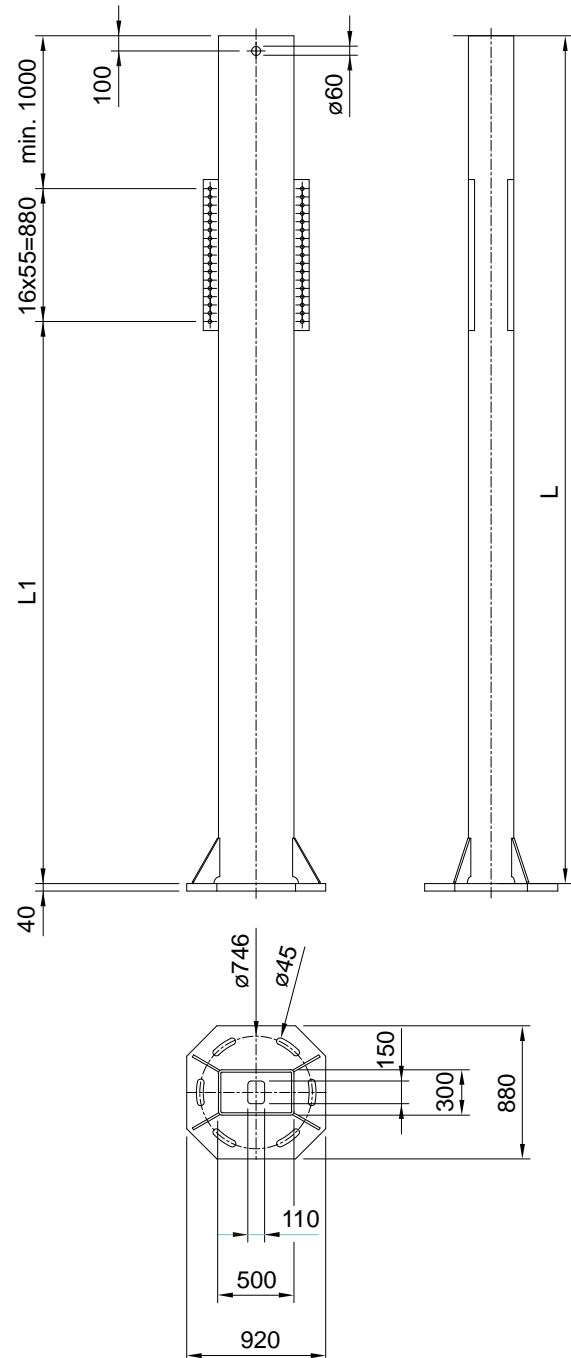
Support Bracket for
Mono Anchor Boom WPE 450 22701
Mono Anchor Boom WPE 450 22704

Drawing number

328.00336

Ordering information

for length 8,00 m and 6,50 m
1282.80.65 Tubular mast 300 x 500
for Mono Anchor Boom WPE 450



Note

With mast base plate for 6 x M 39
for foundation \varnothing 762x16 mm
Specify L and L1 when ordering.

Associated parts

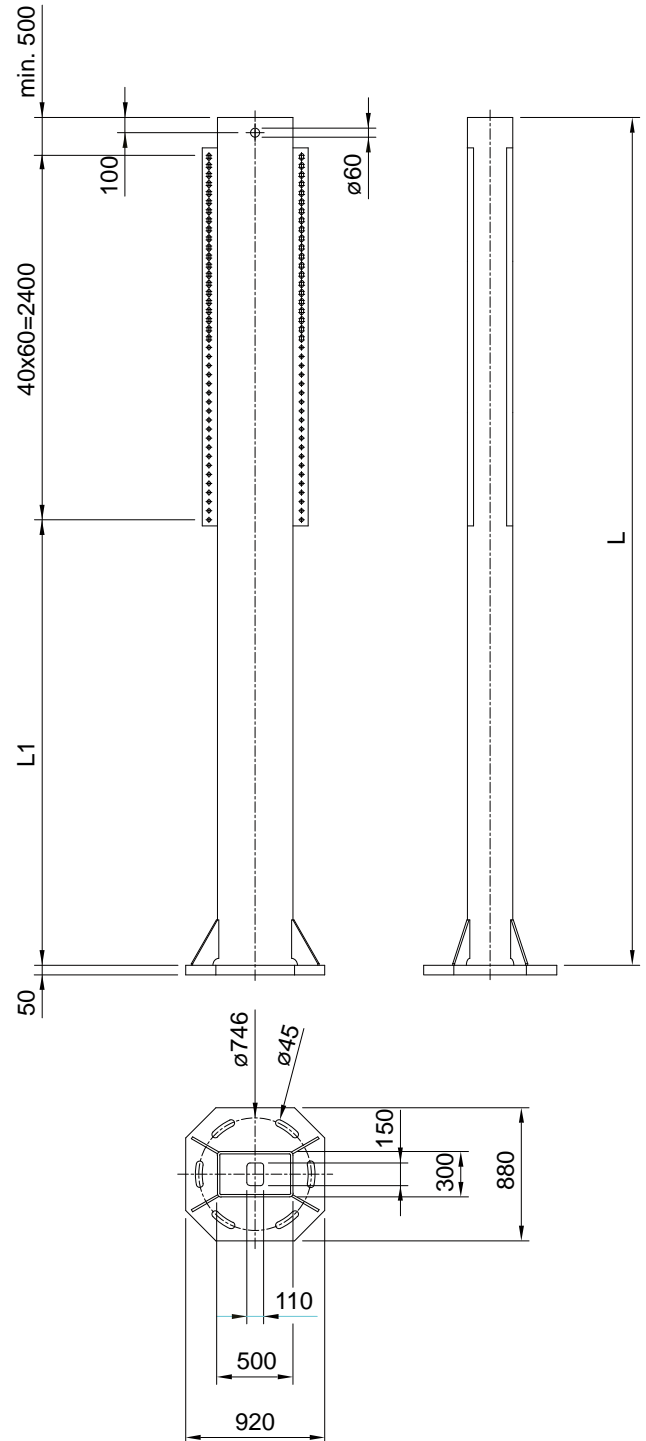
Support Bracket for
Mono Anchor Boom WEB 450 22702
Mono Anchor Boom WEB 450 22705

Drawing number

328.00404

Ordering information

for length 9,50 m and L1 7,50 m
1283.95.75 Tubular mast 300 x 500
for Mono Anchor Boom WEB 450



Type	Bottom connection
1	with deadend clevis type
2	with deadend eye type

Note

With turnbuckle M 30
 U-bolt for anchor rope
 connection 1313 o/w
 Anchor foundation stirrup 1131
 Insulation set (only for
 Anchor rope Type 2) 6321
 Triangular clevis link for
 2 anchor rope (only for
 Anchor rope Type2) 1321

Resistance

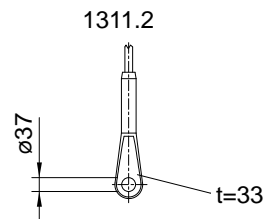
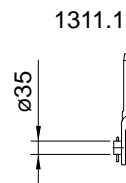
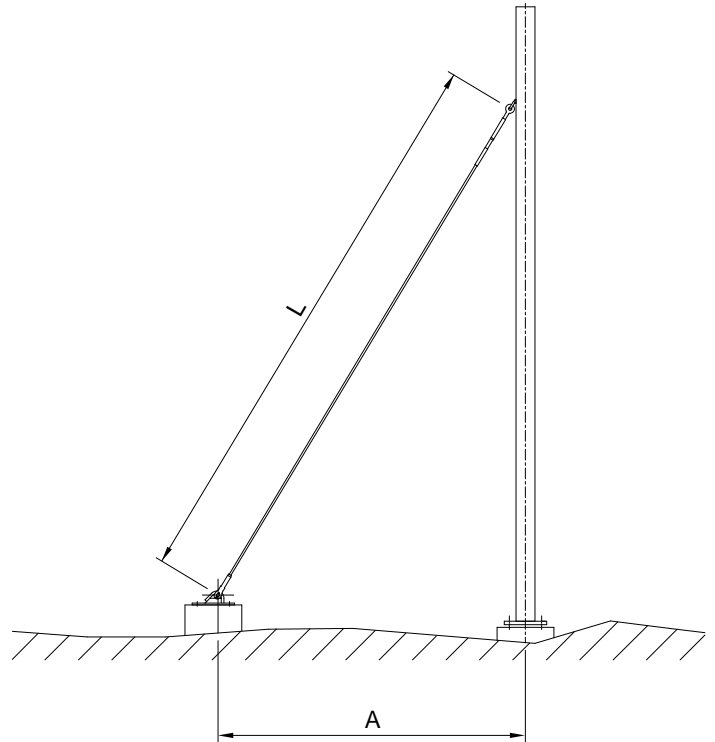
F_{Rd} (kN) = 80

Drawing number

331.00057 - .00059

Ordering information

with deadend clevis type,
 anchor rope L = 9,50 m
 1311.1.09500 anchor rope \varnothing 20 mm

**Horizontal U-bolt for anchor rope connection**

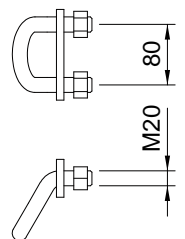
1313

Drawing number

331.00001

Ordering information

1313 Horizontal U-bolt for anchor rope connection

**Vertical U-bolt for anchor rope connection**

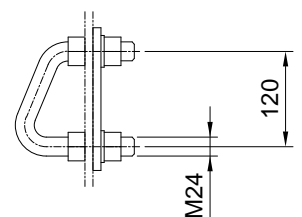
1314

Drawing number

331.00053

Ordering information

1314 Vertical U-bolt for anchor rope connection



Mast bracket for anchor rope connection

1315

Pole range

Section HEB 160 / 180 / 200 / 220 / 240 / 260

Resistance

F_{Rd} (kN) = 10

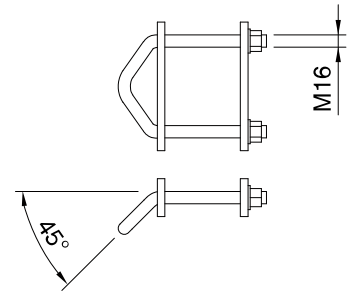
Drawing number

412.00236

Ordering information

on HEB 220

1315.22 Mast bracket for anchor rope connection



Anchor connecting clevis

1316

Type	HEB
16	160 - 180
20	200 - 220
24	240 - 260

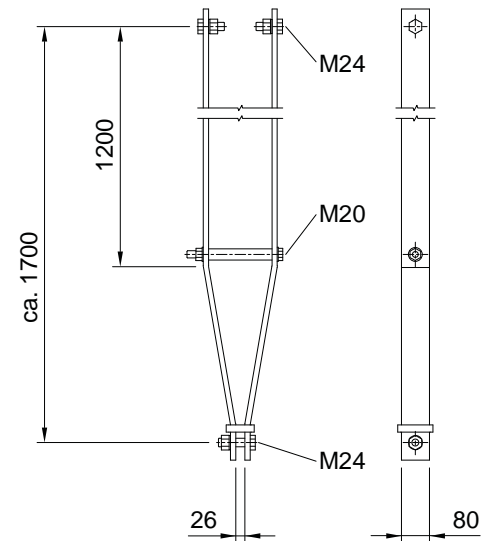
Drawing number

331.00051

Ordering information

on HEB 200

1316.20 Anchor connecting clevis



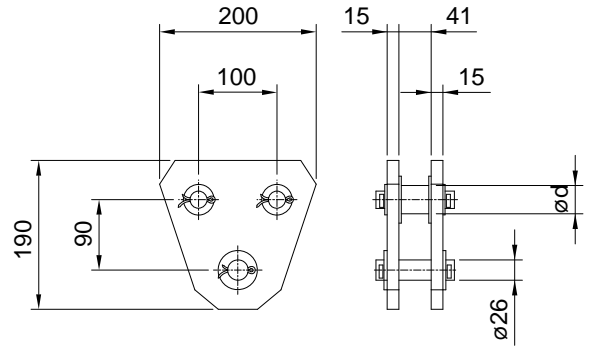
Triangular clevis link for 2 anchors

1321

Type	Description	d (mm)
1	without insulating set	22
2	with insulating set	36

Drawing number
336.00010, .00021

Ordering information
without Insulating set
1321.1 Triangular clevis link for 2 anchors



Anchor bracket

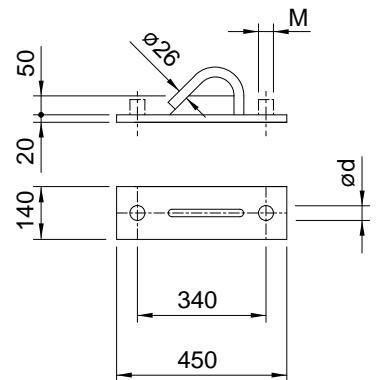
1322

Type	M (mm)	d (mm)
24	24	33
30	30	39
36	36	45

Note
Foundation bolt 1111
Insulating set 6311

Drawing number
331.00030, .00031, .00061

Ordering information
for thread M 30
1322.30 Anchor bracket



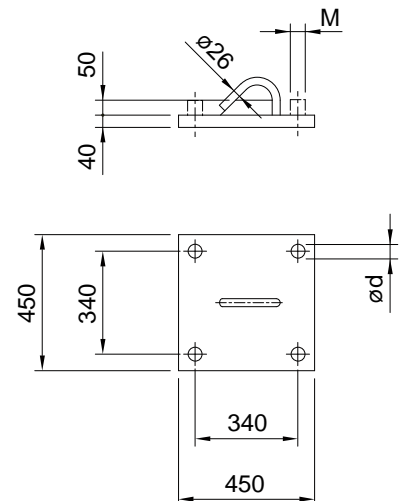
Anchor Bracket

1323

Type	M (mm)	d (mm)
30	30	39
36	36	45

Drawing number
331.00065-1, .00065-2

Ordering information
for thread M 36
1323.36 Anchor bracket



Weight

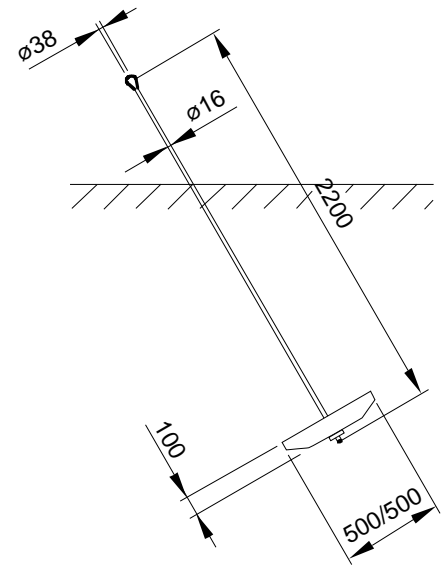
Wt (kg) = 54

Drawing number

331.00008, .00017

Ordering information

1332 Plate anchor



Type	L (m)
060	6.00
065	6.50
070	7.00
075	7.50
080	8.00
085	8.50
090	9.00
095	9.50
100	10.00
105	10.50
110	11.00

Note

Mast bracket 1343

Foundation bracket 1345

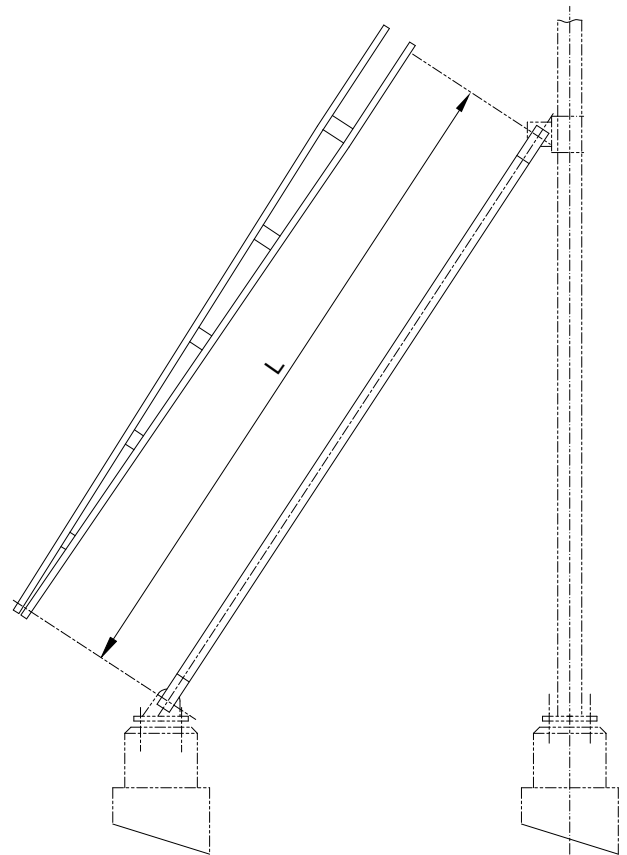
Drawing number

334.00005

Ordering information

Length 9,50 m

1341.095 Lattice tie, U-profile

**Mast bracket for lattice tie**

1343

Pole range

Section HEB 160 / 180 / 200 / 220 / 240 / 260

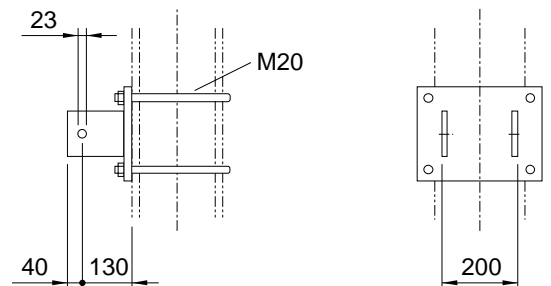
Drawing number

334.00007

Ordering information

on HEB 220

1343.22 Mast bracket for lattice tie

**Foundation bracket for lattice tie**

1345

Type	M (mm)	d (mm)
30	30	39
36	36	45

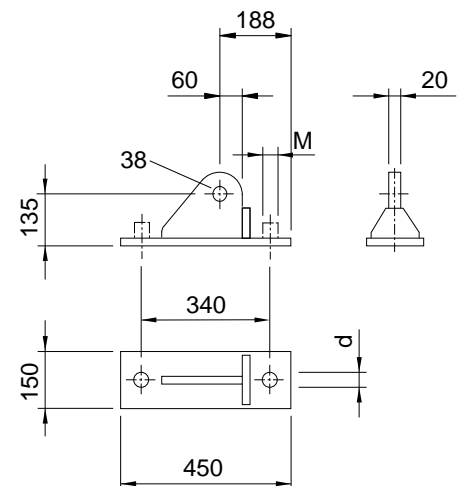
Drawing number

334.00006, .00011

Ordering information

for thread M 36

1345.36 Foundation bracket for tie



Type	L (m)
040	4.00
045	4.50
050	5.00
055	5.50
060	6.00
065	6.50
070	7.00
075	7.50
080	8.00
085	8.50
090	9.00
095	9.50

Note

Mast bracket 1349

Foundation bracket 1348

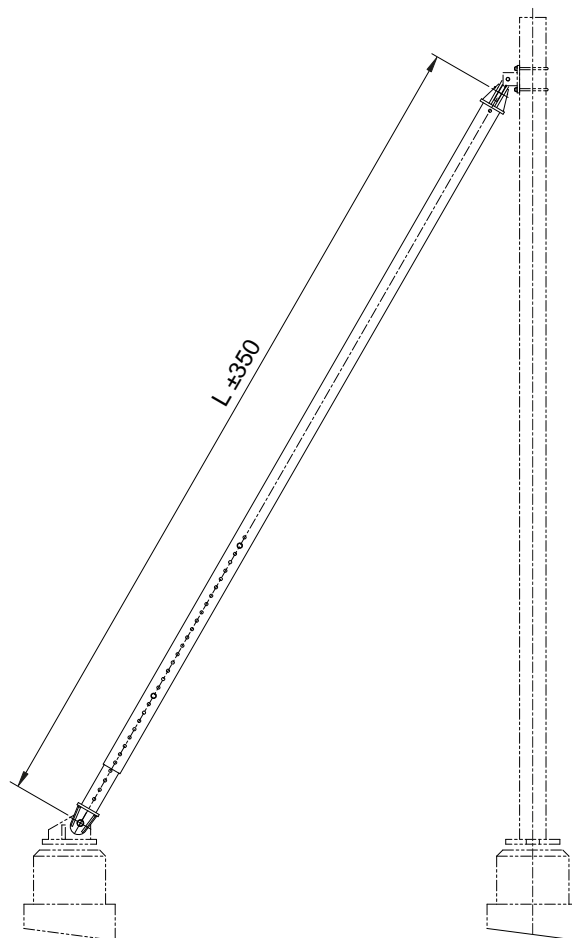
Drawing number

334.00120

Ordering information

Length 4,5 m

1346.045 Telescopic strut SHS 160 x 160



Type	L (m)
035	3.50
040	4.00
045	4.50
050	5.00
055	5.50
060	6.00
065	6.50
070	7.00
075	7.50
080	8.00
085	8.50
090	9.00
095	9.50

Note

Mast bracket 1349
Foundation bracket 1348

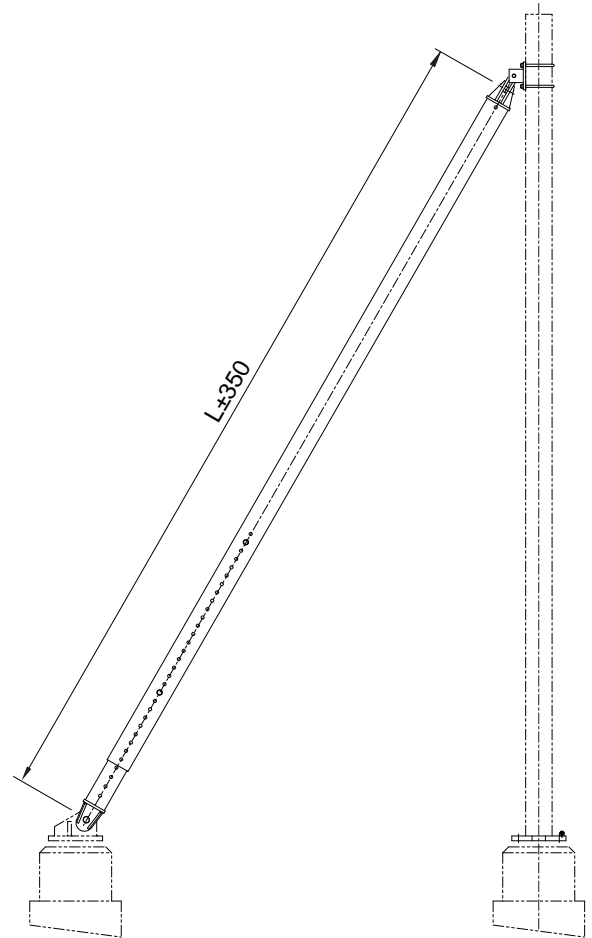
Drawing number

334.00059

Ordering information

Length 7,0 m

1347.070 Telescopic strut 200 x 200

**Foundation Bracket**

1348

Note

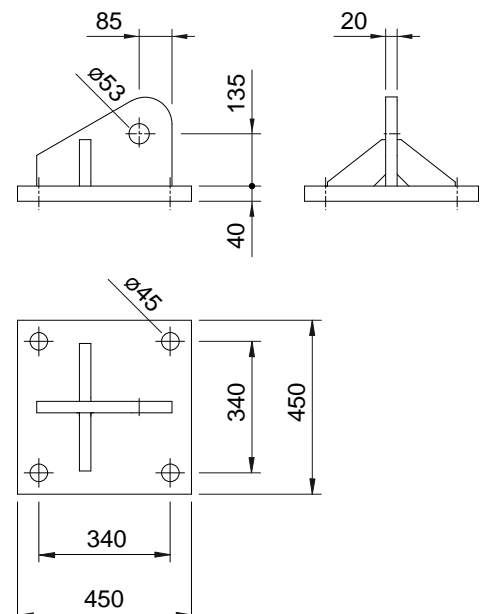
for 4 x M 36 Foundation bolts

Drawing number

334.00150

Ordering information

1348 Foundation Bracket



Pole range

Section I HEB 220-260

Fasteners

Supplies complete with pin \varnothing 30,
tongue swivel and U Bolt M 20.

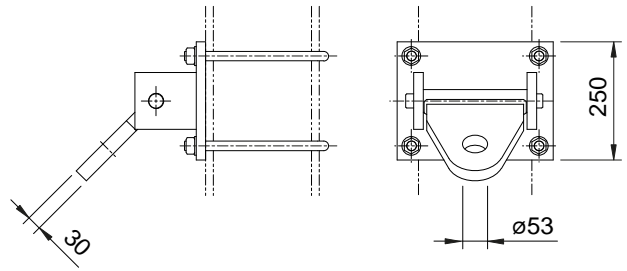
Drawing number

334.00104

Ordering information

for HEB Mast 240

1349.24 Mast Bracket Assembly for telescopic strut



Mast connection to sloping wall

1411

Pole range

Section HEB 160-200 / 220-240

Note

Wall bolt 1441

Wall bolt pair 1442

H = according to local conditions

The static proof for the mast bracket and the indication of the effect on the structure are required in any case.
The proof of the wall bolts is provided by the customer.

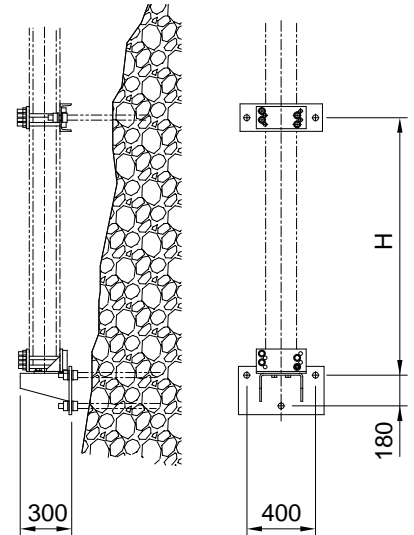
Drawing number

317.00047

Ordering information

for HEB 180

1411.18 Mast connection to sloping wall



Mast connection to wall

1412

Pole range

Selection HEB 160-200

Note

L2 according to local conditions.

Wide-flange mast

Wall support 1413

Wall bolt pair 1442

The static proof for the mast bracket and the indication of the effect on the structure are required in any case.
The proof of the wall bolts is provided by the customer.

Fasteners

Supplied complete with U-bolts.

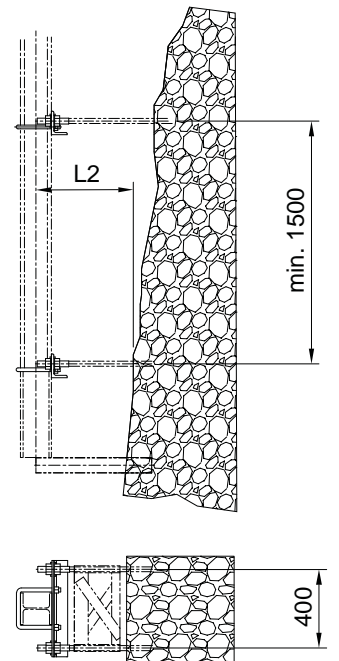
Drawing number

317.00031

Ordering information

for HEB 200

1412.20 Mast connection to wall



Type	Section UPN (mm)	L (mm)
08	080	600
10	100	700
12	120	800

Note

L1 and L2 according to local conditions.

The static proof for the mast bracket and the indication of the effect on the structure are required in any case.

The proof of the wall bolts is provided by the customer.

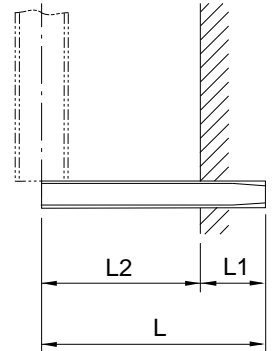
Drawing number

317.00065, .00322, .00323

Ordering information

Section UNP 100

1413.10 Wide-flange mast wall support



Type	M (mm)	Mast range
30	30	160 - 220
36	36	240 - 260

Note

Wall bolt 1441

Sleeve frame for mast connection (6 x M 30) 1421
When ordering, please state gradient and length.

Gradient positive (P) max. 15°
Gradient negative (N) max. 15°
For greater gradients 1415

Length L1 according to local conditions.

Length min. 430 mm

Length max. 665 mm

Wall-bolt M30 or hexagonal screws
M 30x100 with washer M 30
must be ordered separately

The static proof for the mast bracket and the indication of the effect on the structure are required in any case.

The proof of the wall bolts is provided by the customer.

Drawing number

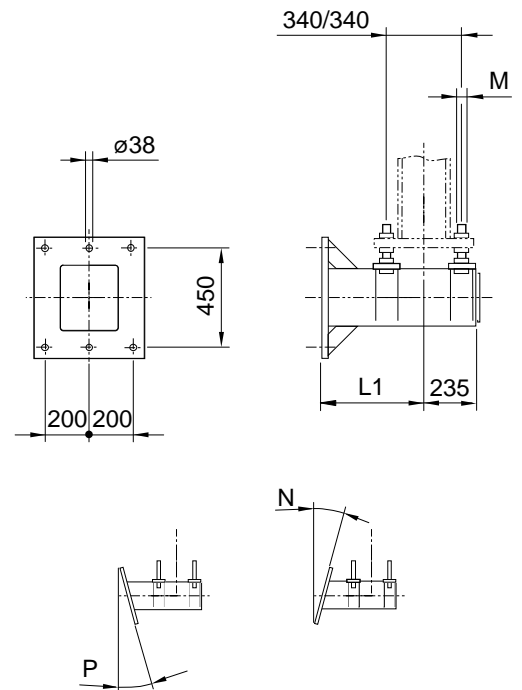
317.00156 - .00159, .00162, .00163

Ordering information

with thread M 30, gradient positive 12°,

Length 550 mm

1414.30.P12.550 Mast connection to concrete structure



Type	M (mm)	Mast range
30	30	160 - 220
36	36	240 - 260

Note

Wall bolt 1441

Sleeve frame for mast
connection (6 x M 30) 1421
When ordering, please state
gradient and length.

Gradient positive (P) 16° - 50°
Gradient negative (N) 16° - 50°

Length L1 according to local conditions.
Length min. 485 mm
Length max. 665 mm

Wall-bolt M30 or hexagonal screws
M30 x 100 with washer M30
must be ordered separately.

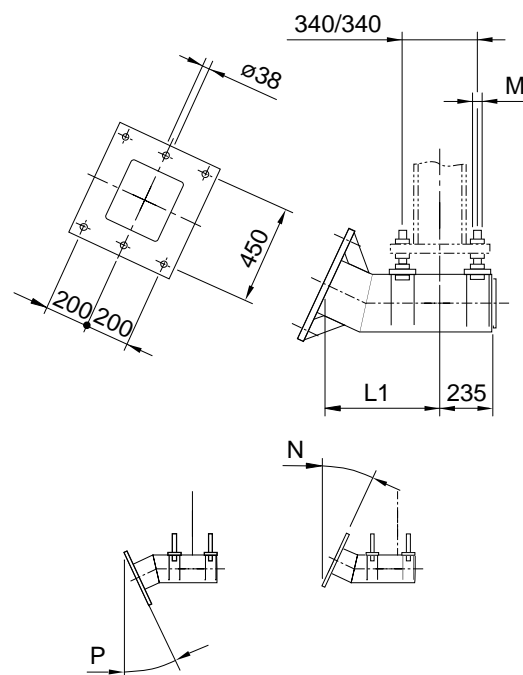
The static proof for the mast bracket and
the indication of the effect on the structure
are required in any case.
The proof of the wall bolts is provided by the customer.

Drawing number

317.00089, .00090, .00160, .00161

Ordering information

with thread M 36, gradient negative 30°,
Length 620 mm
*1415.36.N30.620 Mast connection to
concrete structure*



Type	M (mm)	Mast range	A (mm)
30	30	160 - 220	300 - 500
36	36	240 - 260	300 - 500

Note

Anchor bolt 1444.24

Sleeve frame for mast
connection (8 x M 24) 1422

When ordering, please state gradient.

Gradient negative (N) 0° - 20°

Anchor bolt M 24 and hexagonal screws
M 24x100 with washer M24
must be ordered separately.

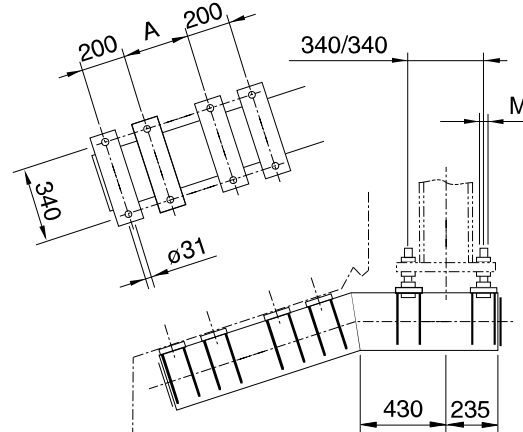
The static proof for the mast bracket and
the indication of the effect on the structure
are required in any case.
The proof of the wall bolts is provided by the customer.
When ordering state length A.

Drawing number

317.00164, .00165

Ordering information

with thread M 36, gradient negative 15°
*1416.36.N15 Mast connection to
concrete structure*



Type	M (mm)	Mast range
30	30	160 - 220
36	36	240 - 260

Note

Wall bolt 1441

Available for slanting walls on request

Wall-bolt M 30x600/110, hexagonal screws
 M 36x220 with hexagonal nut M 36 and washer
 $\varnothing 39 / 66 \times 5$ must be ordered separately. Length L1
 according to local conditions
 L1 min 525 mm
 L1 max 665 mm

The static proof for the mast bracket and
 the indication of the effect on the structure
 are required in any case.
 The proof of the wall bolts is provided by the customer.

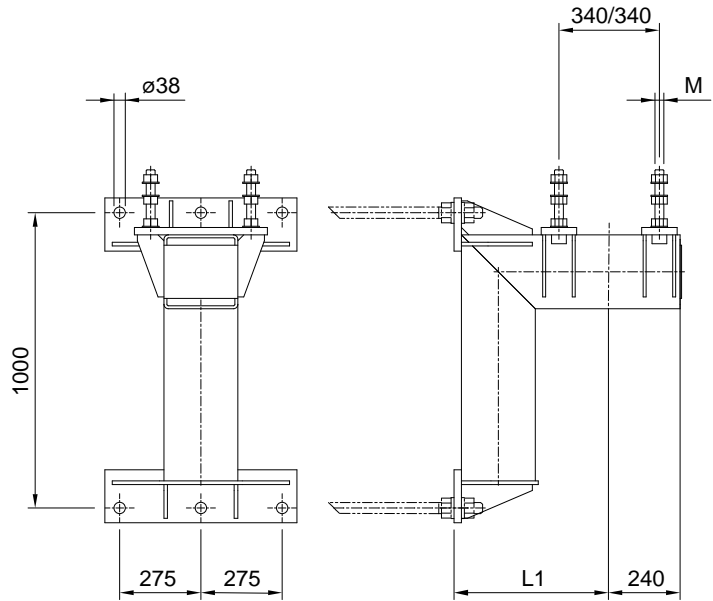
Drawing number

317.00343, .00345

Ordering information

for thread M 30

1417.30 Mast connection to natural stone
 wall



Sleeve frame for mast connection (6 x M 30)

1421

Material

Fe stainless

Note

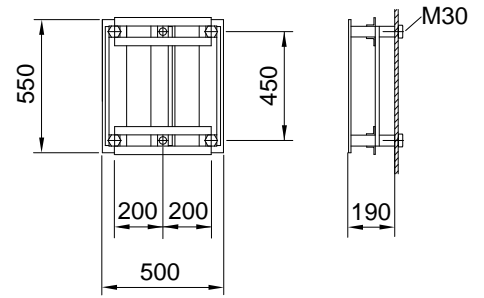
Mast connection 1414 o/w

Drawing number

317.00097

Ordering information

1421 Sleeve frame for mast connection (6 x M 30)



Sleeve frame for mast connection (8 x M 24)

1422

Material

Fe stainless

Note

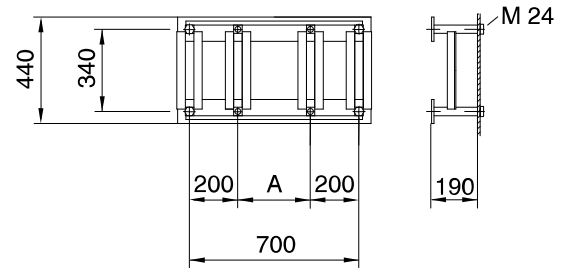
Mast connection 1416
When ordering state length A.
Available 300 - 500 mm.

Drawing number

317.00095

Ordering information

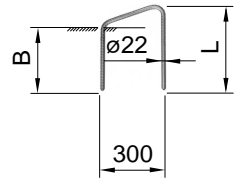
1422 Sleeve frame for mast connection (8 x M 24)



Wall anchor stirrup

1431

Type	L (mm)	B (mm)
35	350	250
40	400	300
45	450	350



Note

Anchor rope 1311
Insulating set 6321

Drawing number

318.00001

Ordering information

Length 350 mm
1431.35 Wall anchor stirrup

Anchor plate

1432

Type	Mounting
1	on sleeve frame (with screws)
2	on concrete structure (without screws)

Note

Sleeve frame 1433
Insulating set 6321

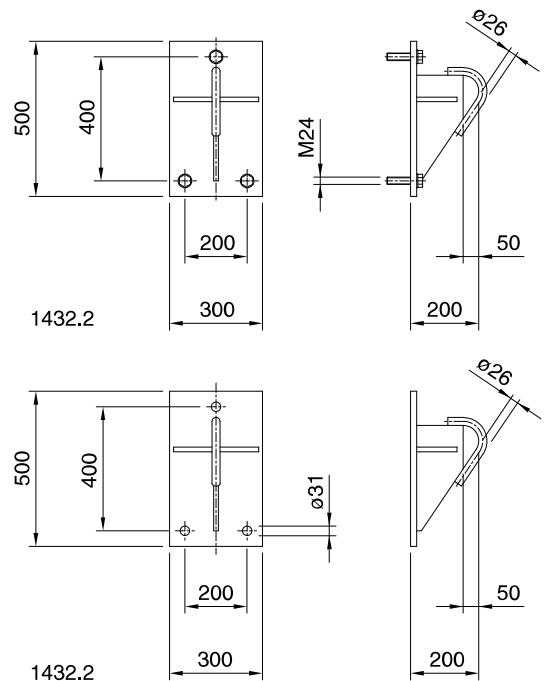
Anchor bolt M 24 and washer M 24 must be ordered separately.

Drawing number

331.00032, .00086

Ordering information

1432.1 Anchor plate for concrete structure



Sleeve frame for anchor plate

1433

Material

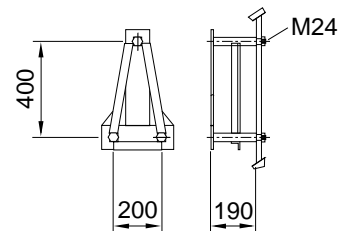
Fe stainless

Drawing number

317.00096

Ordering information

1433 Sleeve frame for anchor plate



Note

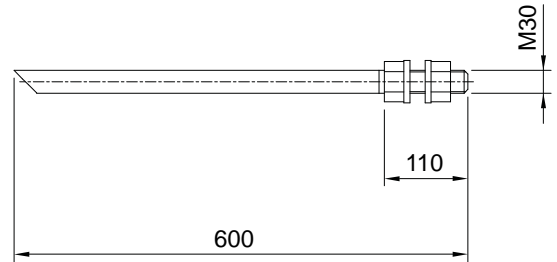
Other bolt lengths on request.

Drawing number

317.00034

Ordering information

1441 Wall bolt M 30

**Note**

When ordering, please state length.

Length min. 750 mm

Length max. 1350 mm

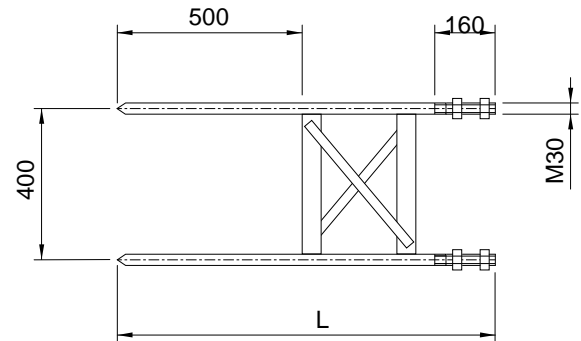
Drawing number

317.00170, .00313, .00315

Ordering information

Length 800 mm

1442.0800 Wall bolt pair M 30



Type	L (m)
28	285
34	345

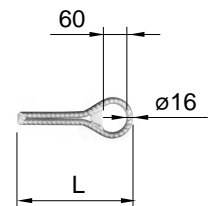
Drawing number

318.00010

Ordering information

Length 345 mm

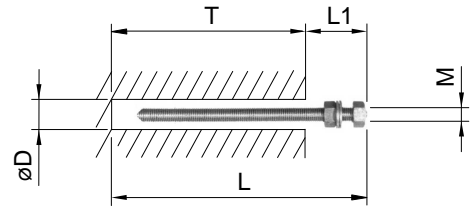
1443.34 Wall loop for multiple connection



Material

Fe stainless, hot-dip galvanised

Type	M (mm)	L (mm)	T (mm)	D (mm)
12.16	12	160	110	14
16.19	16	190	125	18
16.24	16	240	125	18
16.32	16	320	125	18
20.24	20	240	170	25
20.32	20	320	170	25
24.29	24	290	210	28
30.38	30	380	270	35

**Note**

Bolt stainless steel and nut hot-dip galvanized.

Other lengths on request.

In the case of greater free lengths (L1) ascertain the suitability.

Use the anchor bolt in compact masonry and concrete only.

Associated parts

Adhesive cartridge 1445

Drawing number

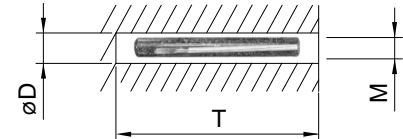
394.00001

Ordering information

M 16, L = 240 mm

1444.16.24 Anchor bolt

Type	for M (mm)	T (mm)	D (mm)
12	12	110	14
16	16	125	18
20	20	170	25
24	24	210	28
30	30	300	35

**Note**

Please follow the instructions for use on the packing.

Drawing number

394.00002

Ordering information

for M 20

1445.20 Adhesive cartridge

Type	M (mm)	d (mm)	D (mm)	F _{Rd} (kN)	Material
12	12	12	30	3.4	hot-dip galvanised
12.4	12	12	30	3.4	stainless A4
16	16	14	35	7.0	hot-dip galvanised
16.4	16	14	35	7.0	stainless A4
20	20	16	40	12.0	hot-dip galvanised
20.4	20	16	40	12.0	stainless A4
24	24	20	50	18.0	hot-dip galvanised
24.4	24	20	50	18.0	stainless A4

**Ordering information**

M 12

1446.12 Eye nut

Threaded socket with flange for concrete

Type	M (mm)	L (mm)	L1 (mm)	D (mm)
12	12	70	30	17

Note

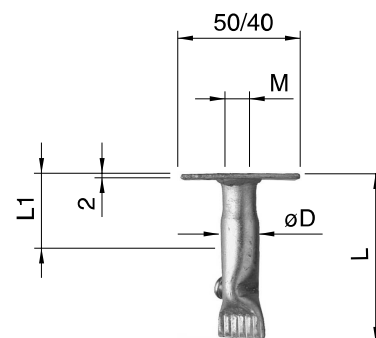
Supplied complete with closing lid.

L1=Length of thread

Ordering information

M 12

1447.12 Threaded socket with flange for concrete

**Compact threaded sleeve**

Type	M (mm)	L (mm)	L1 (mm)	D (mm)
06	6	25	11	8
08	8	30	13	10
10	10	40	15	12
12	12	50	18	15
16	16	65	23	20
20	20	80	34	25

Note

L1=Length of thread

Ordering information

M 10

1448.10 Compact threaded sleeve

